

PARTS CATALOGUE FOR
COMPUTERIZED SEWING MACHINE

NV4000D
NV4000

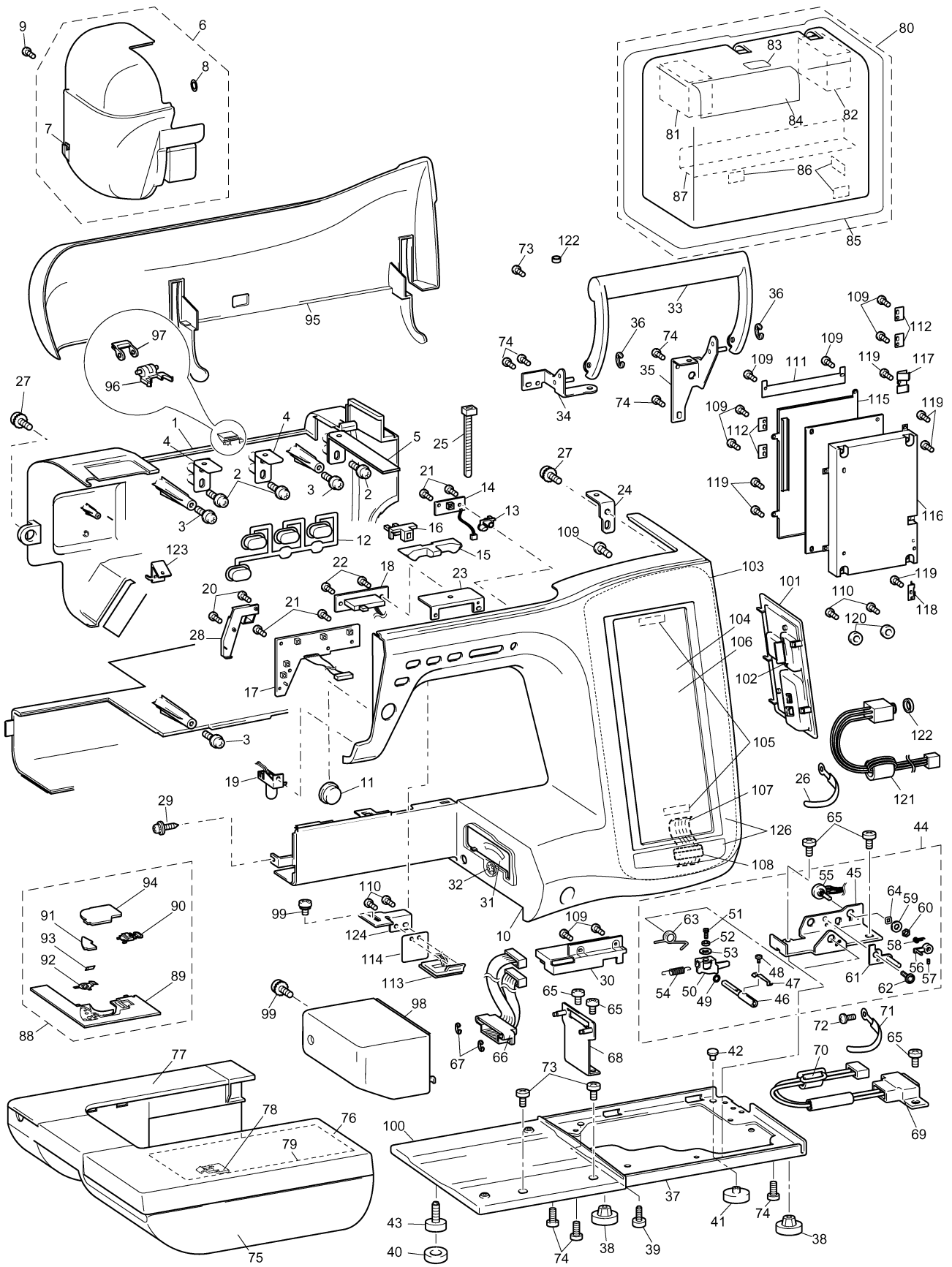
CONTENTS

(1) PRINCIPAL PARTS	2
LCD SUPPLY ASSEMBLY	6
(2) UPPER SHAFT / NEEDLE BAR, PRESSER MECHANISM	8
(3) FEED, ROTARY HOOK / SIDE FEED / THREAD CUTTING MECHANISM	10
(4) ROTARY HOOK DRIVE / BOBBIN WINDER MECHANISM	12
(5) THREAD GUIDE MECHANISM / THREAD HOOK MECHANISM	14
(6) ELECTRONIC PARTS / MOTOR UNIT	18
(7) EMBROIDERY UNIT	20
(8) ATTACHMENTS / PACKING MATERIALS / PRINTED MATTER	24
NEEDLE-PRESSER MODULE	28
FEED MODULE	32
THREAD CUTTER MODULE	36

(1) PRINCIPAL PARTS

No.	CODE	NAME	REMARKS	No.	CODE	NAME	REMARKS
1	XC7683051	REAR COVER		45	XC7738051	LIFTER BASE	
2	087411016	TAPTITE CUP B M4X10		46	XC7739051	SHAFT	
3	087411416	TAPTITE CUP B M4X14		47	XA6215251	SPRING,PLATE	
4	XC7717051	PLATE A		48	060260316	SCREW BIND M2.6X3	
5	XC7718051	PLATE B		49	X51383050	WASHER,THRUST	
6	XC7719151	FACE PLATE ASSY		50	XC7740051	LIFTER LINK	
7	X80321001	NT LOWER THREAD CUTTER		51	XA6252051	SCREW	
8	138384051	RETAINING RING,CS5		52	028040242	WASHER SPRING 2-4	
9	0A6401206	SCREW, PAN(T WASHER)M4X12		53	026040236	WASHER PLAIN M 4	
10	XC7685051	FRONT COVER		54	XC7741051	SPRING	
11	XC7723051	SS BUTTON		55	XC8208051	ASSY:KNEE LIFTER SENSOR	
12	XC7724051	BUTTON		56	XA6493051	PT LEVER	
13	XC7726051	THREAD BUTTON		57	012300632	SET SCREW SOCKET (FT) M3X6	
14	XC8196051	ASSY:THSW PCB D6		58	XC7742051	SPRING	
15	XC7728051	SV KEYTOP		59	026060235	WASHER PLAIN M 6	
16	XC7729051	SV JOINT PLATE		60	X52569001	NUT	
17	XC8199051	ASSY:SS PCB D6		61	XC7743051	STOPPER PLATE ASSY	
18	XC8202051	ASSY:VR PCB D6		62	0A5400806	SCREW PAN (S/P WASHER) M4X8	
19	XC7981051	PCB UNIT:LED LAMP-D6R		63	XC8624051	KNEE LIFTER SPRING	
20	085311415	TAPTITE BIND B M3X14		64	XC8573051	WASHER,WAVE SPRING	
21	136681051	TAPTITE, BIND B M3X8		65	060400616	SCREW BIND M4X6	
22	X59629051	TAPTITE,BIND B M3X10		66	XC8210051	ASSY,MAIN BODY LEAD WIRE	
23	XC7838051	PLATE C		67	048030346	RETAINING RING E3	
24	XC7839051	PLATE D		68	XC7746051	CONNECTOR HOLDER ASSY	
25	X53169050	BAND		69	XC7632051	INLET ASSY:D6 US (U.S.A., CANADA)	
26	137947001	CLIP			XC8419051	INLET ASSY:D6 EU (OTHER)	
27	087411016	TAPTITE CUP B M4X10		70	XC8902051	FERRITE CORE:E04SR200935A (U.S.A., CANADA)	
28	XC8680050	S HOLDER		71	T31049001	COATING CLIP CS-6	
29	XC4433051	SCREW,PAN(T WASHER)M3X6		72	060300616	SCREW BIND M3X6	
30	XC8478250	INVERTER COVER		73	060400616	SCREW BIND M4X6	
31	XA9400151	CONNECT COVER		74	X57908051	TAPTITE,BIND S M4X10	
32	146200051	RETAINING RING, CS4		75	XC7687051	ACCESSORY TABLE	
33	XC7686051	HANDLE		76	XD0698051	ACC TABLE F COVER SUPPLY ASSY	
34	XC7731051	HANDLE HOLDER L ASSY		77	XC7689051	ACCESSORY TABLE REAR COVER	
35	XC7733051	HANDLE HOLDER R ASSY		78	138644051	NOTCHED SPRING	
36	048040346	RETAINING RING E4		79	XC8155151	SPONGE	
37	XC7736051	BASE PLATE		80	XC7750151	CASE ASSEMBLY	
38	XA1805051	BASE RUBBER A		81	XC8184150	UNDER CASE POLYSTYRENE L	
39	XA4687051	ADJUSTING SCREW ASSY		82	XC8183150	UNDER CASE POLYSTYRENE R	
40	XA4689051	BASE PLATE RUBBER		83	XA3028052	DECORATION PLATE	
41	XA9386051	BASE PLATE RUBBER		84	XC8378051	CASE COVER	
42	XA9387050	BASE PLATE RUBBER		85	XC8613051	BAG.900X600H	
43	062500616	SCREW PAN M5X8		86	125440050	CASE FELT	
44	XC7737051	KNEE LIFTER ASSEMBLY					

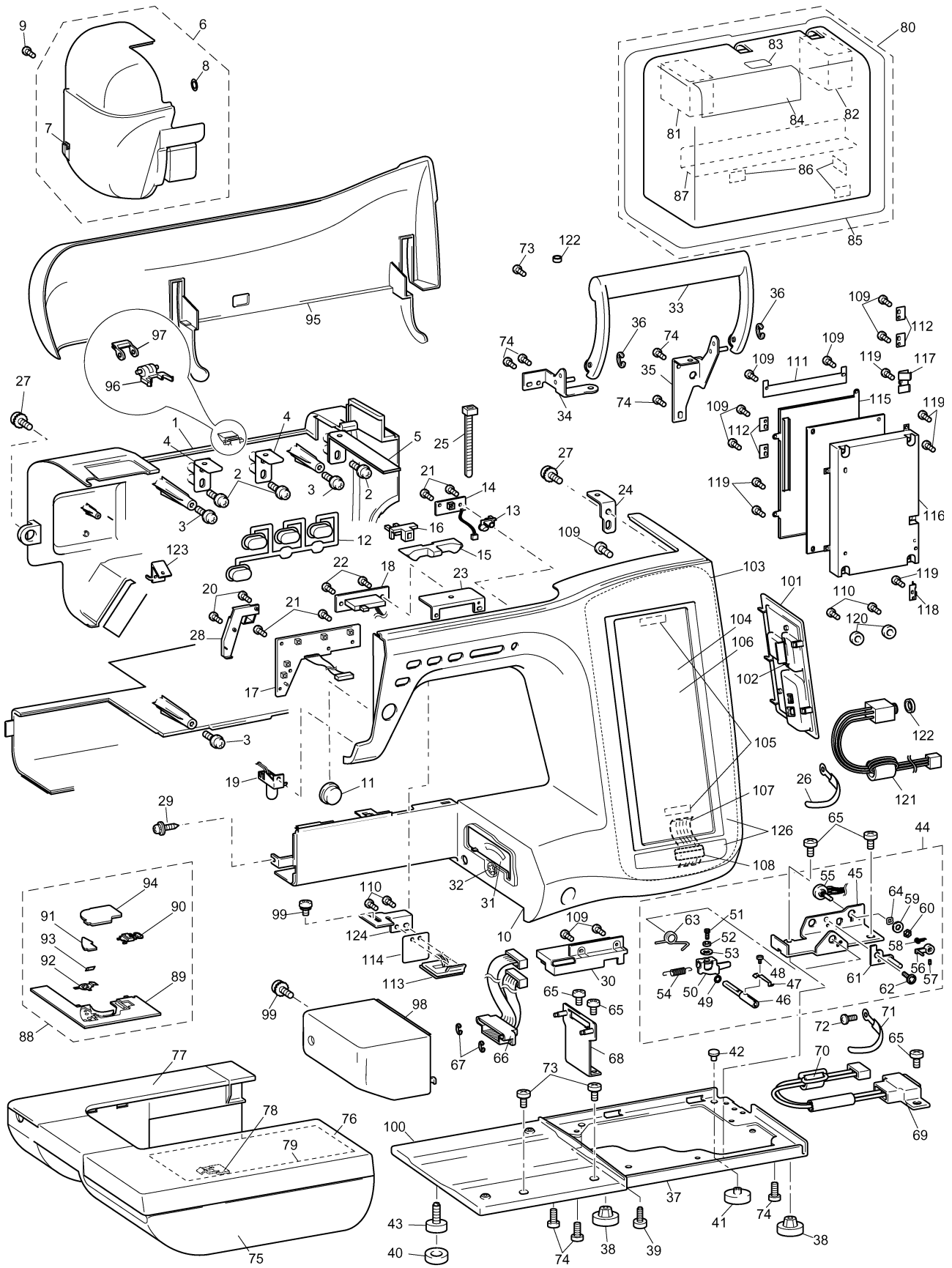
(1) PRINCIPAL PARTS



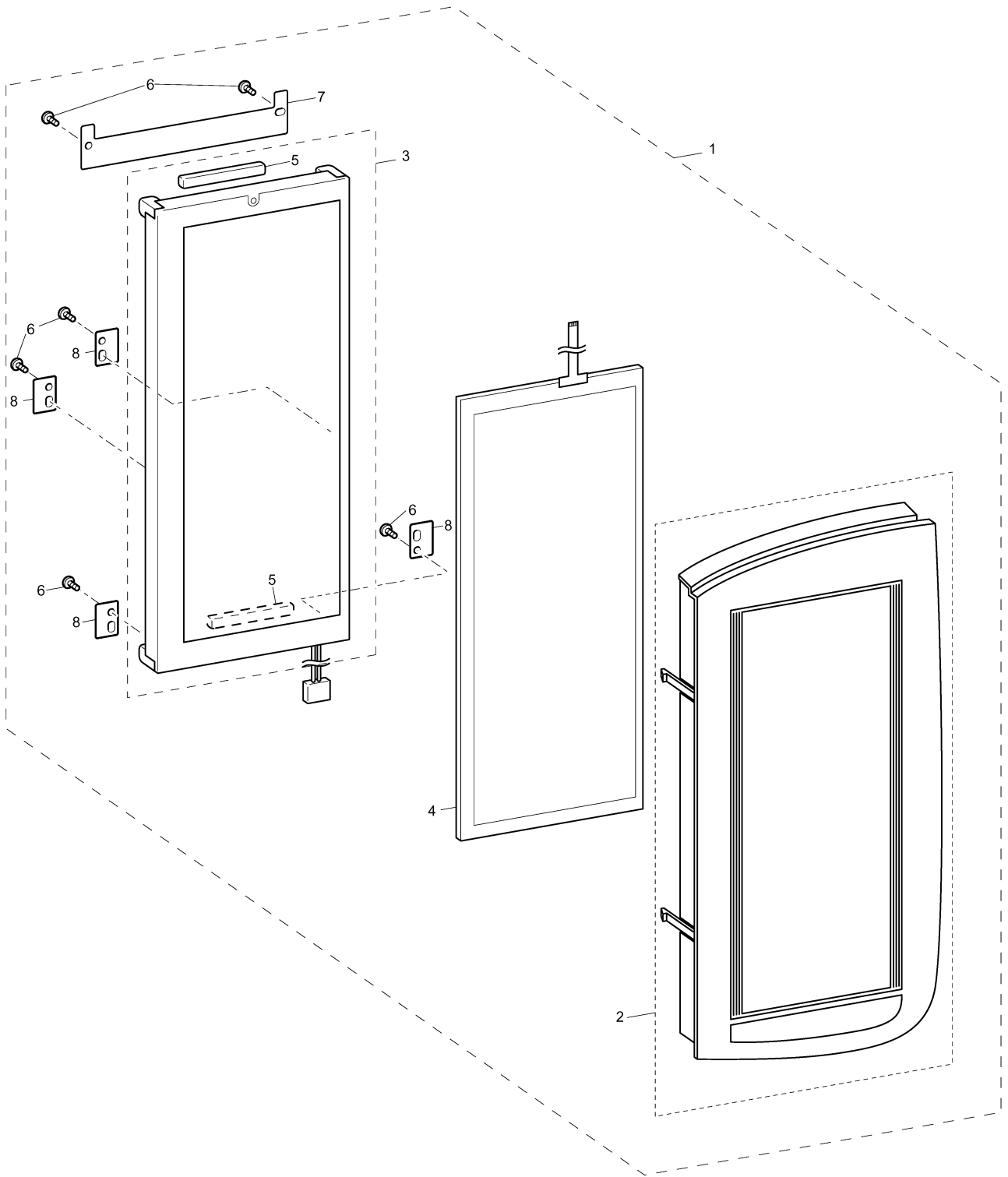
(1) PRINCIPAL PARTS

No.	CODE	NAME	REMARKS	No.	CODE	NAME	REMARKS
87	XC7253051	SHEET FOR D6 HARDCASE					
88	XC2364052	NEEDLE PLATE B ASSY					
89	XC2365052	NEEDLE PLATE B					
90	XC2366152	SLIDE BUTTON					
91	XC2367052	CUTTER COVER					
92	XC2368051	SPRING PLATE					
93	X80321001	NT LOWER THREAD CUTTER					
94	XC2369051	NEEDLE PLATE COVER					
95	XC7690053	TOP COVER					
96	XZ0391051	UPPER COVER HOLDER					
97	XC3286001	UPPER COVER HINGE OEM					
98	XC7691051	FREE ARM COVER					
99	0A6400806	SCREW PAN (T WASHER) M4X8					
100	XC7692051	BASE PLATE COVER					
101	XC7693151	CARD PCB COVER					
102	XC7756051	PEN HOLDER					
103	XC8669251	LCD MODULE SUPPLY ASSY (NV4000D: U.S.A.)					
	XC8684151	LCD MODULE SUPPLY ASSY (NV4000D: OTHER)					
Including #104,105,106,109,111,112,125,126			See Next				
104	XC8211051	TOUCH PANEL D6					
105	XA6039051	FRONT COVER SPACER B					
106	XC8891151	LCD SUPPLY ASSY (U.S.A.)					
	XC8892151	LCD SUPPLY ASSY (OTHER)					
107	XD1115051	FFC:SML2CD-20X70					
108	XC8660051	FERRITE CORE:FS18X12X5					
109	136681051	TAPTITE, BIND B M3X8					
110	X59629051	TAPTITE,BIND B M3X10					
111	XC7840051	LCD PRESSER A					
112	XC7850051	LCD PRESSER B					
113	XD0504051	LED LAMP UNIT WORK AREA D6					
114	XC7759051	INSULATION SHEET					
115	XC7761051	BOARD CASE UPPER					
116	XC7762051	BOARD CASE LOW					
117	XC8533051	GROUND PLATE UPPER					
118	XC8534051	GROUND PLATE LOW					
119	060300516	SCREW BIND M3X5					
120	XC4543051	BOARD PRESSER					
121	XC8668051	FC JACK SUPPLY ASSY					
122	X51271001	NUT					
123	XC8430051	ADJUST PLATE A					
124	XC8431051	ADJUST PLATE B					
125	XC9233051	BADGE ASSEMBLY (NV4000D)					
126	XC7694053	LCD HOLDER (NV4000)					

(1) PRINCIPAL PARTS



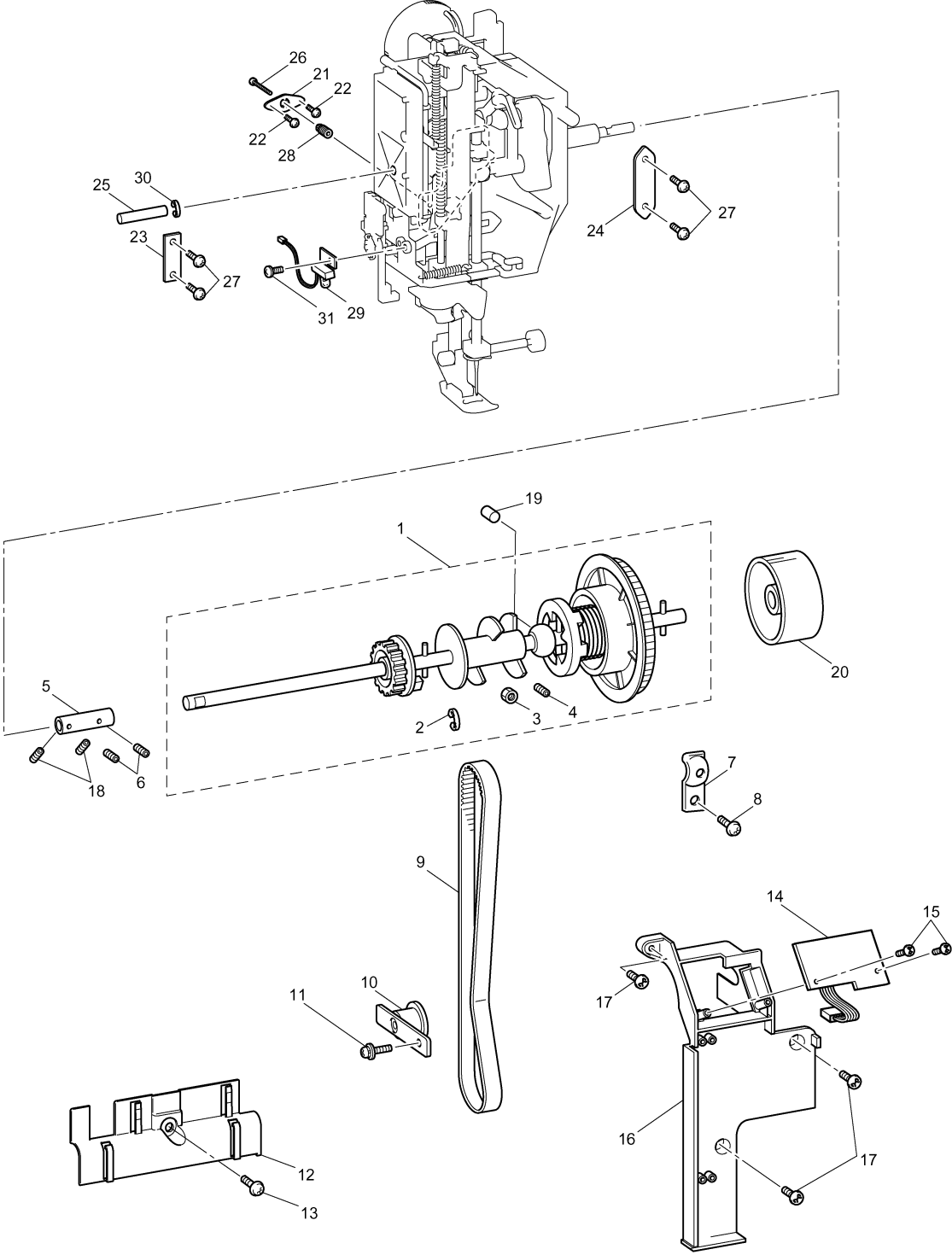
LCD SUPPLY ASSEMBLY



(2) UPPER SHAFT / NEEDLE BAR, PRESSER MECHANISM

No.	CODE	NAME	REMARKS	No.	CODE	NAME	REMARKS
UPPER SHAFT MECHANISM				NEEDLE BAR, PRESSER MECHANISM			
1	XC8679151	UPPER SHAFT SUPPLY ASSY		21	XC2505050	PLATE SPRING	
2	048080346	RETAINING RING E8		22	060400516	SCREW BIND M4X5	
3	021300205	NUT 2 M3		23	XC2297051	PRESSER PLATE A	
4	014300632	SET SCREW SOCKET (CP) M3X6		24	XC2298051	PRESSER PLATE B	
5	XC7775051	FIXED JOINT		25	XC2503051	SHAFT	
6	012500532	SET SCREW SOCKET (FT) M5X5		26	XZ0380051	SCREW, PAN (WASHER) M3X18	
7	X52478051	BUSHING PRESSER		27	X57908051	TAPTITE,BIND S M4X10	
8	X57908051	TAPTITE,BIND S M4X10		28	XC2504050	ADJUSTING SCREW	
9	XC7776051	TIMING BELT 440-5GT-6		29	XC8019051	PCB UNIT:LED LAMP-D6L	
10	XC2385051	TENSION PULLEY ASSEMBLY		30	048050346	RETAINING RING E5	
11	0A5401005	SCREW PAN (S/P WASHER) M4X10		31	XZ0149051	TAPTITE,PAN B 4X12	
12	XC8336051	UPPER SHAFT COVER					
13	060400616	SCREW BIND M4X6					
14	XC8219051	ASSY:NP PCB-D6					
15	136681051	TAPTITE, BIND B M3X8					
16	XC7777051	PCB HOLDER					
17	060400816	SCREW BIND M4X8					
18	014400432	SET SCREW SOCKET (CP) M4X4					
19	XC3183051	FELT					
20	XC7772051	PULLEY					

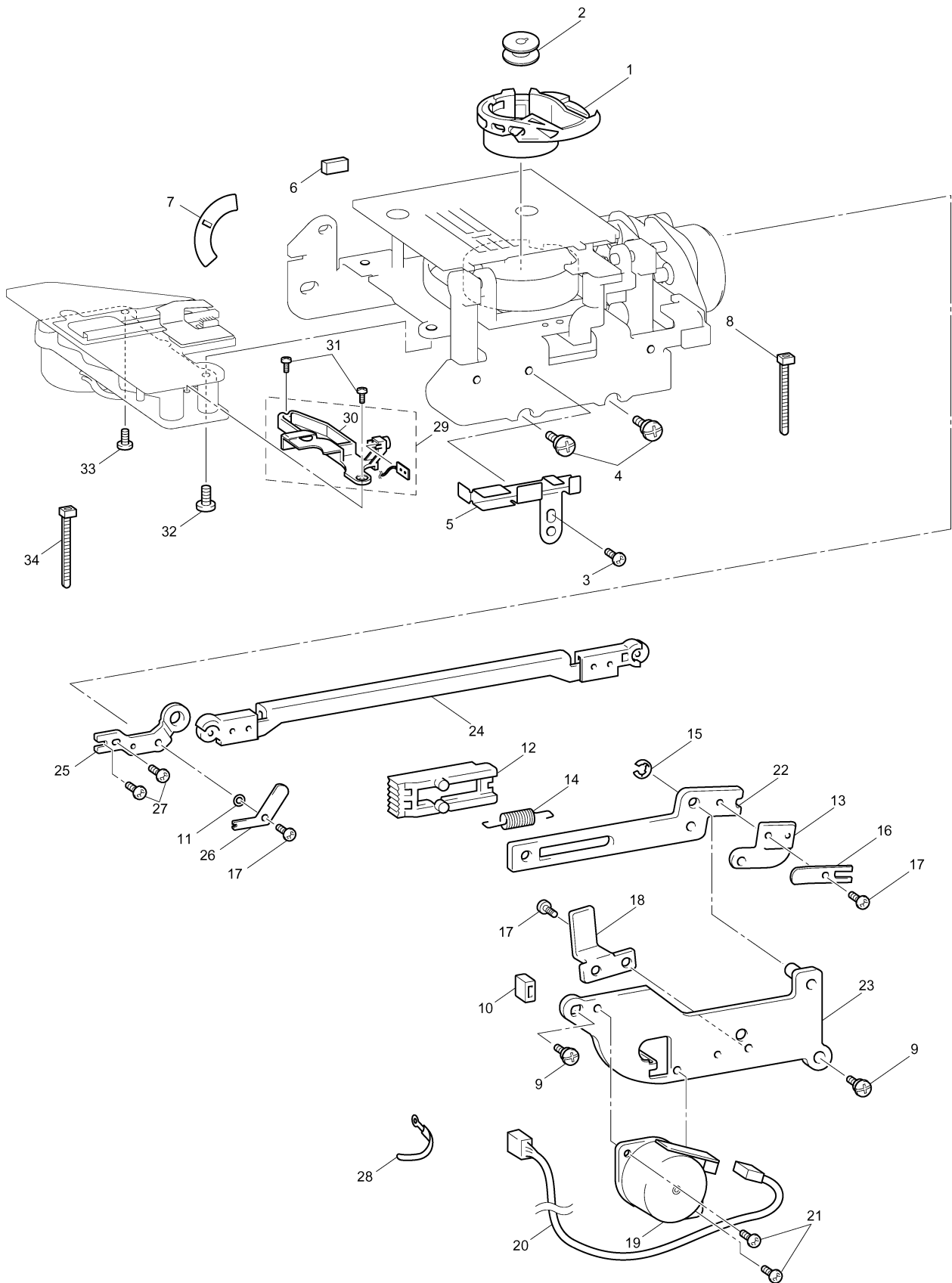
(2) UPPER SHAFT / NEEDLE BAR, PRESSER MECHANISM



(3) FEED, ROTARY HOOK / SIDE FEED / THREAD CUTTING MECHANISM

No.	CODE	NAME	REMARKS	No.	CODE	NAME	REMARKS
FEED, ROTARY HOOK MECHANISM				THREAD CUTTING MECHANISM			
1	XC3153151	INNER ROTARY HOOK ASSY		29	XC8329151	PHOTO TRANSISTOR ASSY	
2	X52800150	BOBBIN		30	XC9199051	SENSOR HOLDER	
3	060300416	SCREW BIND M3X4		31	0A4300605	SCREW PAN (S/P WASHER) M3X6	
4	XC3096051	SCREW M4		32	060400516	SCREW BIND M4X5	
5	XC7876051	LEAD WIRE GUIDE HOLDER		33	060300516	SCREW BIND M3X5	
6	XZ0160051	SHEET		34	X53169050	BAND	
7	XC7878051	DROP COVER					
8	X53169050	BAND					
SIDE FEED MECHANISM							
9	X57908051	TAPTITE, BIND S M4X10					
10	XA2189050	RUBBER					
11	XA2401050	WASHER					
12	XA9506051	SIDE FEED GEAR					
13	XA9507050	SIDE FEED WASHER					
14	XA9508051	SPRING, EXTENSION					
15	048030346	RETAINING RING E3					
16	XA9514051	SPRING, PLATE A					
17	060300616	SCREW BIND M3X6					
18	XC0411051	S STOPPER					
19	XC8242051	ASSY:S PULSE MOTOR					
20	XC8243051	ASSY:SPM LEAD WIRE					
21	060300416	SCREW BIND M3X4					
22	XC6258051	SIDE FEED PLATE					
23	XC8418051	SPM HOLDER ASSY					
24	XC6259051	SIDE FEED ARM ASSY					
25	XC6263051	SIDE FEED ADJUST PLATE					
26	XC6264051	SPRING, PLATE B					
27	XA8390051	SCREW					
28	T31049001	COATING CLIP CS-6					

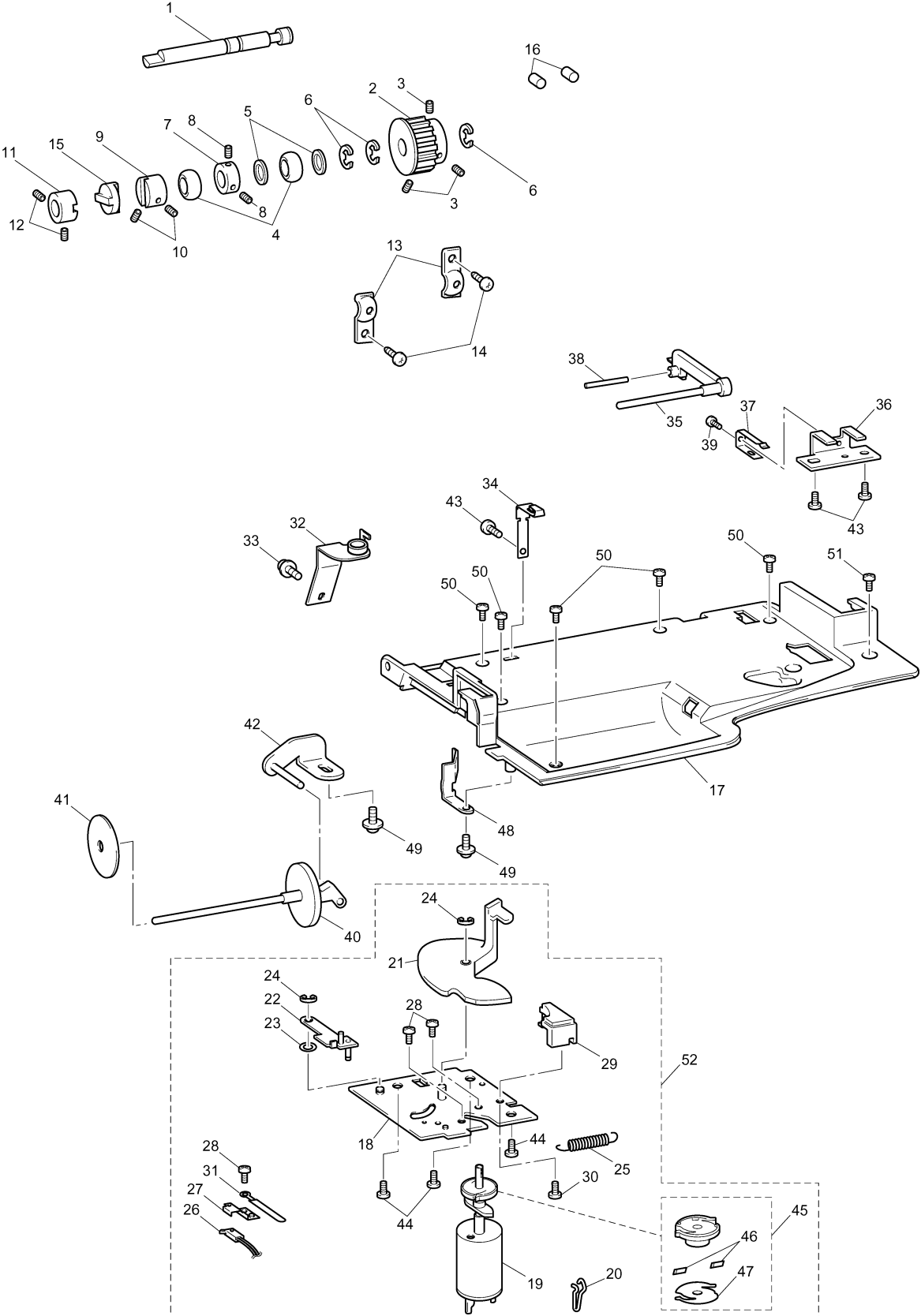
(3) FEED, ROTARY HOOK / SIDE FEED / THREAD CUTTING MECHANISM



(4) ROTARY HOOK DRIVE / BOBBIN WINDER MECHANISM

No.	CODE	NAME	REMARKS	No.	CODE	NAME	REMARKS
ROTARY HOOK DRIVE MECHANISM				BOBBIN WINDER MECHANISM			
1	XC7890051	LOWER SHAFT A		17	XC7696051	UPPER COVER	
2	XC2601051	TIMING PULLEY D		18	XC7894051	BOBBIN WINDER HOLDER ASSY	
3	014500532	SET SCREW SOCKET (CP) M5X5		19	XC7898051	BW MOTOR ASSY	
4	X52664050	LOWER SHAFT BUSHING		20	125928050	BOBBIN WINDER SHAFT SPRING	
5	X51383050	WASHER, THRUST		21	XC7902051	BOBBIN PRESSURE	
6	048060346	RETAINING RING E6		22	XC7903051	BOBBIN PRESSURE GUIDE ASSY	
7	137768151	SET SCREW COLLAR		23	137999050	POLYESTER SLIDER	
8	014400432	SET SCREW SOCKET (CP) M4X4		24	048030346	RETAINING RING E3	
9	XC2602051	JOINT		25	XA9545051	SPRING	
10	012500532	SET SCREW SOCKET (FT) M5X5		26	XC8254051	ASSY: BWSW D6	
11	XC2602051	JOINT		27	XC8194051	BW SWITCH HOLDER	
12	012500532	SET SCREW SOCKET (FT) M5X5		28	XC6055051	SCREW, BIND M3X3	
13	132421051	BUSHING PRESSER		29	XC8371051	BOBBIN PRESSER COVER	
14	X57908051	TAPTITE, BIND S M4X10		30	136681051	TAPTITE, BIND B M3X8	
15	XC2603050	DISK		31	137947001	CLIP	
16	XC3183051	FELT		32	XC7905051	TENSION GUIDE ASSY	
				33	0A4300806	SCREW PAN (S/P WASHER) M3X8	
				34	XC7907051	THREAD GUIDE PLATE	
				35	XC7908051	SUB SPOOL STAND PIN	
				36	XC7909051	SUB SPOOL PIN HOLDER	
				37	XC7910051	NOTCH PLATE	
				38	XA9371051	SHAFT	
				39	XC6055051	SCREW, BIND M3X3	
				40	XA1786053	SPOOL PIN	
				41	X55260153	SPOOL PRESSER C	
				42	XC7911051	SPOOL PIN HOLDER B ASSY	
				43	136681051	TAPTITE, BIND B M3X8	
				44	085411015	TAPTITE BIND B M4X10	
				45	XC7912051	BOBBIN BASE ASSY	
				46	X80321001	NT LOWER THREAD CUTTER	
				47	XC7914051	BOBBIN THREAD CUTTER HOLDER	
				48	XC8432051	THREAD GUARD PLATE	
				49	087310816	TAPTITE CUP B M3X8	
				50	060400516	SCREW BIND M4X5	
				51	060400616	SCREW BIND M4X6	
				52	XD0597051	BOBBIN WINDER SUPPLY ASSY	

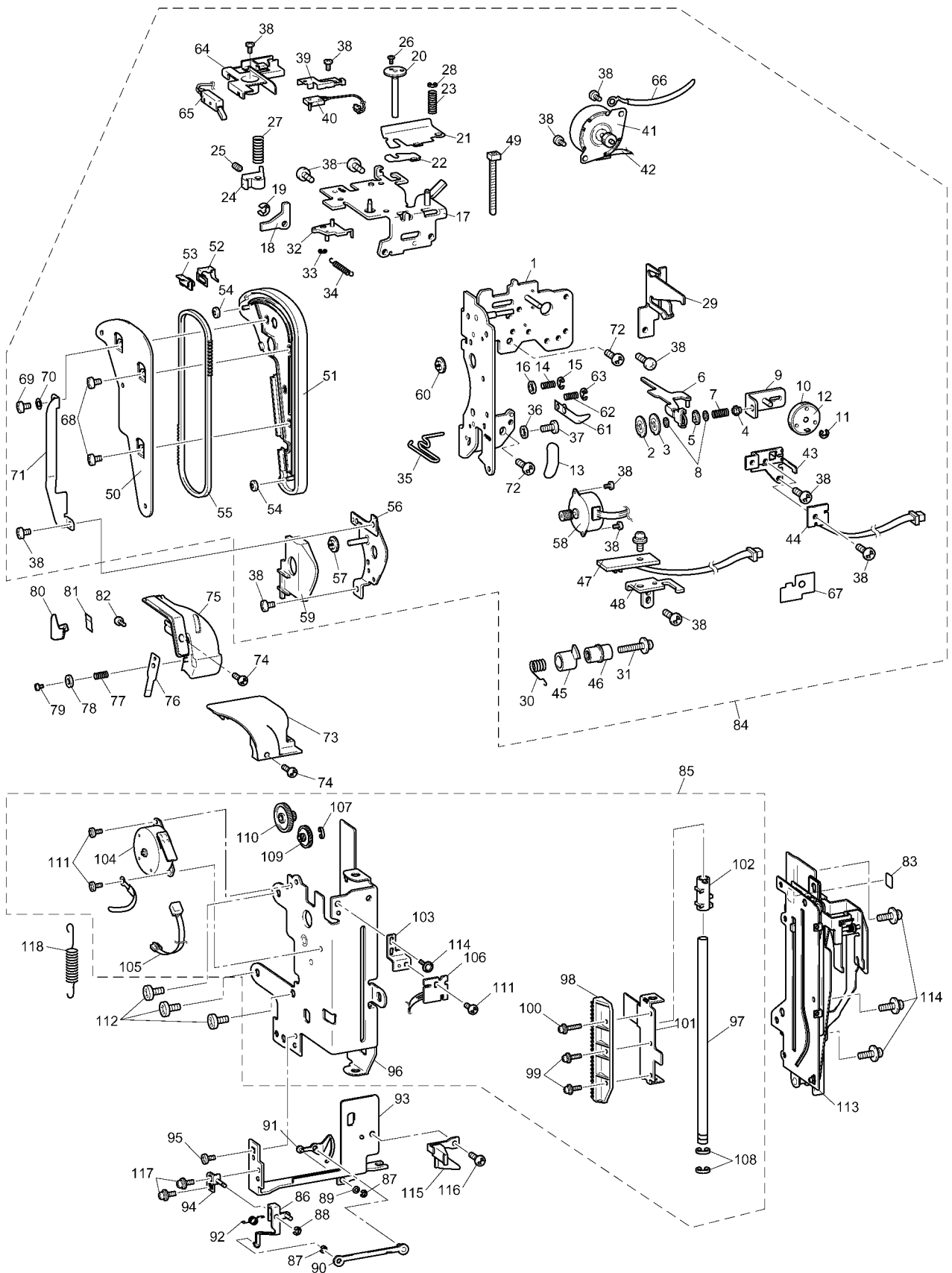
(4) ROTARY HOOK DRIVE / BOBBIN WINDER MECHANISM



(5) THREAD GUIDE MECHANISM / THREAD HOOK MECHANISM

No.	CODE	NAME	REMARKS	No.	CODE	NAME	REMARKS
THREAD GUIDE MECHANISM				44	XC8260051	ASSY:AT INIT PCB	
1	XC7917151	THREAD GUARD ASSEMBLY		45	X58316051	THREAD CUTTING SHUTTER	
2	XA0083051	TENSION DISC A		46	XA9585151	THREAD CATCHING SPRING CASE	
3	XC2626051	TENSION DISC B		47	XC8262051	ASSY:UPTHREAD PCB	
4	XC3437051	TENSION ADJUSTING SCREW		48	XC7934051	THREAD SENSOR HOLDER	
5	XA1388051	TENSION DISC WASHER		49	X53169050	BAND	
6	XC7920051	TENSION RELEASE PLATE ASSY		50	XC7941051	THREAD GUIDE BASE	
7	XA9900051	THREAD TENSIONSFRING		51	XC7942051	BELT GUIDE	
8	XD0573051	WASHER		52	XC7943051	THREAD HOOK	
9	XA9562051	TENSION PLATE ASSY		53	XC7944050	THREAD HOOK SLIDER	
10	XC7922050	THREAD TENSION CAM		54	XC7945050	ROLLER	
11	048030346	RETAINING RING E3		55	XC7948051	BELT 20S2M264	
12	XC7923051	THREAD TENSION GEAR COVER		56	XC7949051	TGPM HOLDER SUB ASSY	
13	XA9935050	SPRING TAPE		57	XC7952050	IDLE GEAR	
14	X57605051	SPRING		58	XC8267051	ASSY:TG PULSE MOTOR	
15	048020346	RETAINING RING E2		59	XC7954050	TGPM COVER	
16	026030136	WASHER PLAIN S 3		60	XC7955050	DRIVING PULLEY	
17	XC7925051	TENSION RELEASE HOLDER ASSY		61	XC8572050	BRAKE PLATE	
18	XA9571051	TENSION RELEASER LINK		62	X57605051	SPRING	
19	048030346	RETAINING RING E3		63	048020346	RETAINING RING E2	
20	XC2638051	TENSION PRESSURE ASSY		64	XC7947050	INITIAL SW HOLDER	
21	XC9115051	TENSION PLATE		65	XC8265051	ASSY:TGSW D6	
22	XC7927051	SPACER		66	137947001	CLIP	
23	XA9577051	SPRING		67	XC9271051	INSULATION SHEET FOR TGPM	
24	XC2640051	TENSION RELEASE CAM		68	060300516	SCREW BIND M3X5	
25	012300432	SET SCREW SOCKET (FT) M3X4		69	060300616	SCREW BIND M3X6	
26	X57363051	POWER LOCK 2X3		70	026030136	WASHER PLAIN S 3	
27	X57605051	SPRING		71	XD0707050	GUARD PLATE	
28	048020346	RETAINING RING E2		72	085411015	TAPTITE BIND B M4X10	
29	XC7928051	THREAD GUIDE		73	XC7936153	FRONT THREAD GUARD COVER	
30	XZ0386051	THREAD TAKE UP SPRING		74	0A5300606	SCREW, PAN (S/P WASHER) M3X6	
31	0A4301806	SCREW, PAN (S/P WASHER) M3X18		75	XC8412151	THREAD GUIDE COVER A ASSY	
32	XC7929050	PRESSER SW LINK		76	XC8414051	THREAD HOLD PLATE	
33	048030346	RETAINING RING E3		77	XC8935051	SPRING, COMPRESSION	
34	XC7930051	SPRING		78	XC8949051	WASHER 2.1X8	
35	XC7931050	THREAD GUIDE WIRE		79	083210615	TAPTITE PAN B M2X6	
36	XA9996051	WASHER,PLAIN		80	XC8411051	CUTTER HOLDER	
37	XC7564051	SCREW, PAN(S/P WASHER)M3X6		81	X80321001	NT LOWER THREAD CUTTER	
38	060300416	SCREW BIND M3X4		82	085310616	TAPTITE BIND B M3X6	
39	XC7932051	PRESSER SWITCH HOLDER		83	XC8574151	PILE	
40	XC8256051	ASSY:PFSW D6		84	XD1019051	THREAD UNIT D6 SUPPLY ASSY (U.S.A., CANADA)	
41	XD0804051	ATPM INSULATION ASSY			XD1019052	THREAD UNIT D6 SUPPLY ASSY (OTHER)	
42	XC8259051	ASSY:ATPM LEAD WIRE					
43	XC7933051	ATPM SENSOR PLATE					

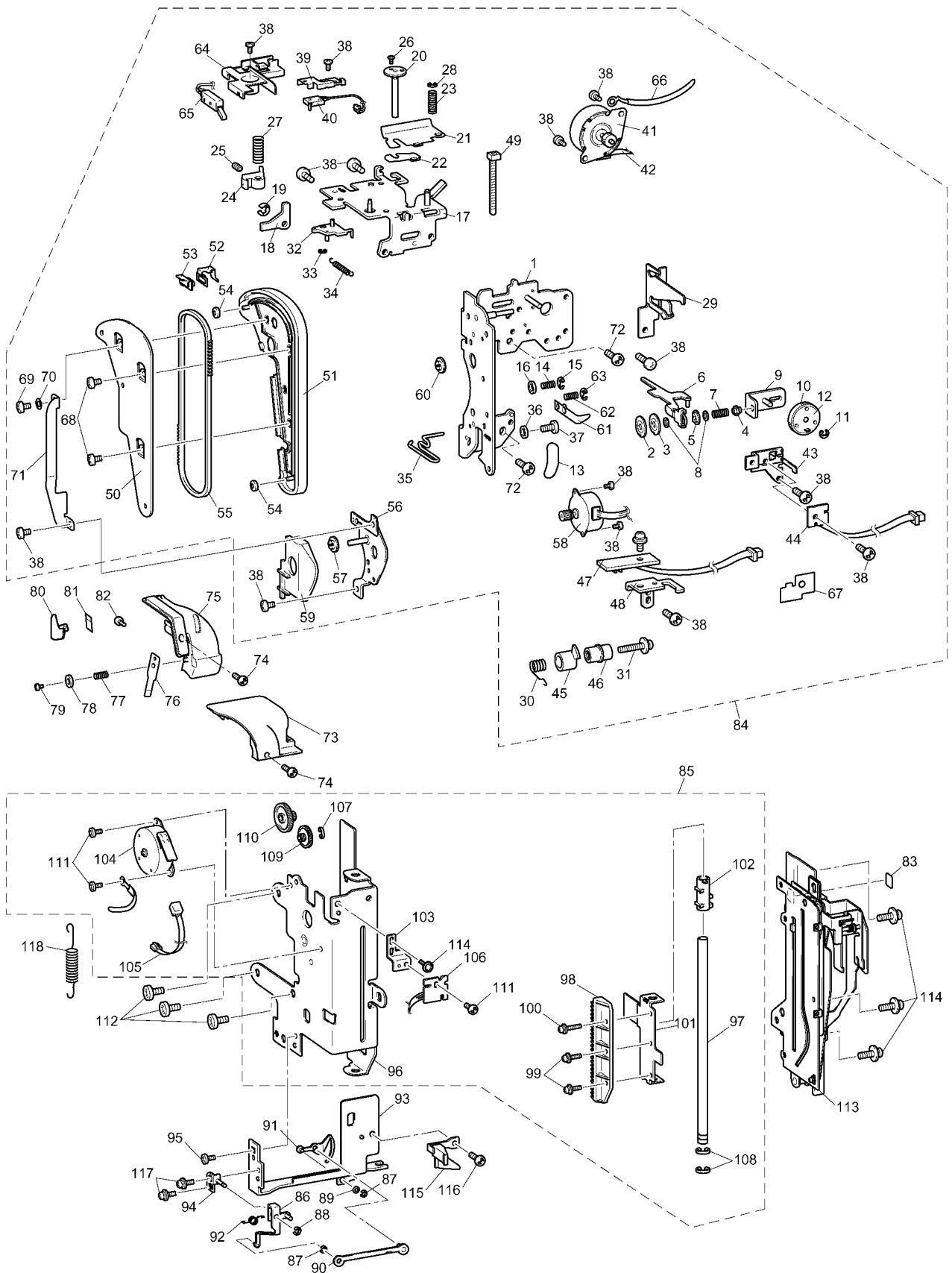
(5) THREAD GUIDE MECHANISM / THREAD HOOK MECHANISM



(5) THREAD GUIDE MECHANISM / THREAD HOOK MECHANISM

No.	CODE	NAME	REMARKS
85	XD1021051	THREAD DRIVE UNIT SUPPLY ASSY (U.S.A., CANADA)	
	XD1021052	THREAD DRIVE UNIT SUPPLY ASSY (OTHER)	
THREAD HOOK MECHANISM			
86	XC7958051	LINK PLATE A ASSY	
87	048020346	RETAINING RING E2	
88	048030346	RETAINING RING E3	
89	XZ0399051	WASHER	
90	XC7962051	LINK PLATE B ASSY	
91	XC7964051	THREAD GUIDE PLATE ASSY	
92	XC7966051	SPRING	
93	XC7967051	THREAD GUIDE BASE PLATE	
94	XC7968051	LINK A BASE ASSY	
95	060300616	SCREW BIND M3X6	
96	XC7972051	UNIT ASSY	
97	XC7976051	GUIDE SHAFT	
98	XC7977050	RACK	
99	0A4300806	SCREW PAN (S/P WASHER) M3X8	
100	0A4301206	SCREW PAN (S/P WASHER) M3X12	
101	XC7978051	SLIDER	
102	XC7979050	TRIGGER	
103	XC7980051	SENSOR HOLDER	
104	XC9289051	THPM INSULATION ASSY	
105	XC8268051	ASSY:THPM LEAD WIRE	
106	XC8269051	ASSY:ATTHD INIT PCB	
107	048025346	RETAINING RING E2.5	
108	048030346	RETAINING RING E3	
109	XC7982050	IDLE GEAR A	
110	XC7983050	DRIVE GEAR A	
111	060300416	SCREW BIND M3X4	
112	085411015	TAPTITE BIND B M4X10	
113	XC9250151	THREAD GUIDE BASE SUPPLY ASSY	
114	XC7644051	SCREW, PAN (S/P WASHER) M3X5	
115	XC8609051	PILE HOLDER ASSY	
116	008300404	SCREW TRUSS M3X4	
117	0A4300605	SCREW, PAN (S/P WASHER) M3X6	
118	X52005151	SPRING	

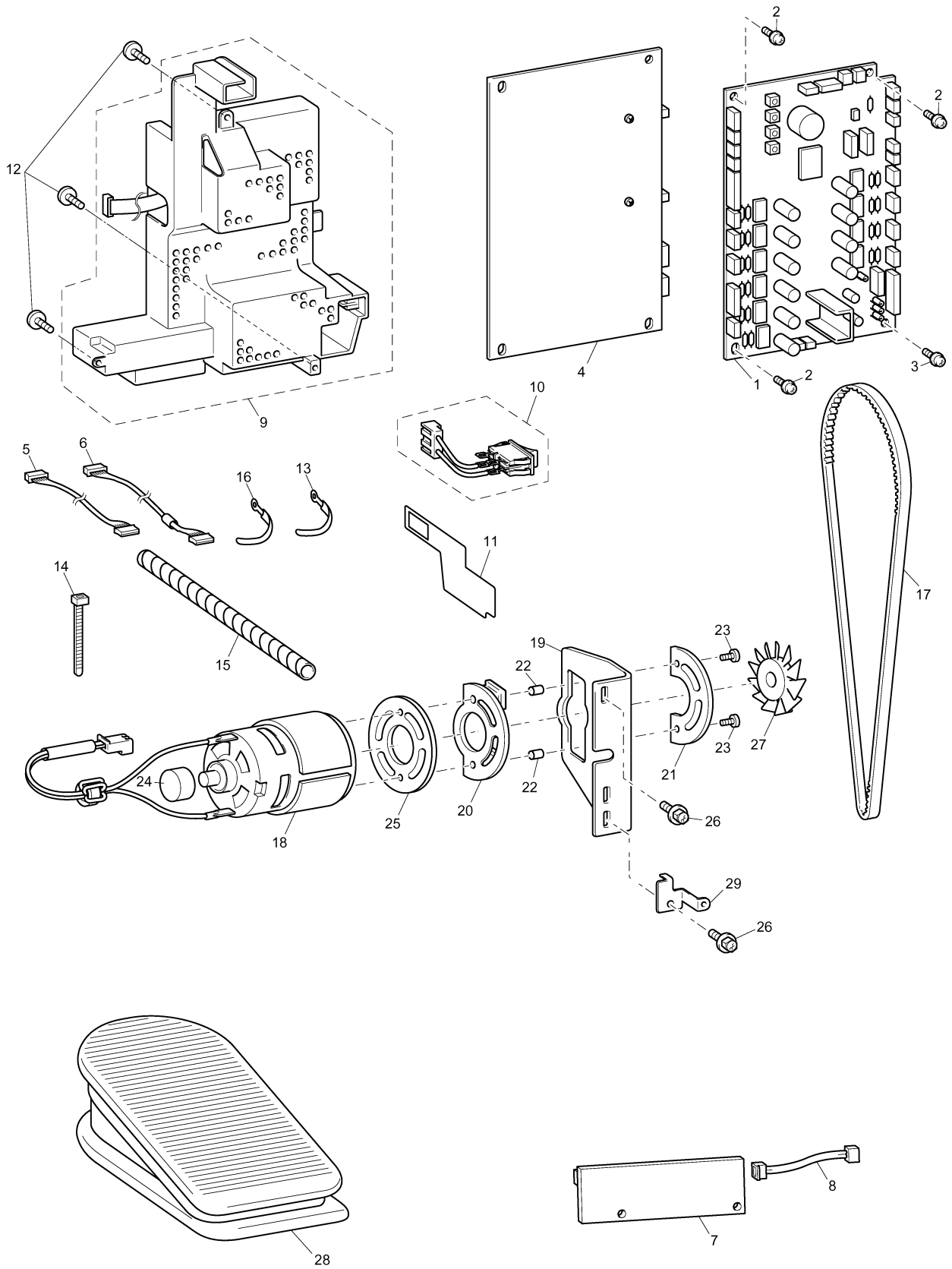
(5) THREAD GUIDE MECHANISM / THREAD HOOK MECHANISM



(6) ELECTRONIC PARTS / MOTOR UNIT

No.	CODE	NAME	REMARKS	No.	CODE	NAME	REMARKS
ELECTRONIC PARTS				MOTOR UNIT			
1	XC8675051	SUPPLY ASSY:MAIN PCB		17	XA9644050	T BELT	
2	136681051	TAPTITE, BIND B M3X8		18	XC8294051	ASSY:MAIN MOTOR	
3	060300616	SCREW BIND M3X6		19	XC8027051	MOTOR HOLDER	
4	XC8676051	SUPPLY ASSY:PANEL PCB B		20	XA9649050	FENDER RUBBER	
5	XC8288051	MAIN-PANEL LEAD WIRE A		21	XA9650051	MOTOR SPACER PRESSER	
6	XC8289051	MAIN-PANEL LEAD WIRE B		22	XC0443051	SPACER 4X7	
7	XC8290051	INVERTER :D6		23	052401605	SCREW, PAN (S/P WASHER) M4X16	
8	XC8291051	INVERTER LEAD WIRE		24	XC6481051	MOTOR CAP	
9	XC8292051	POWER SUPPLY UNIT, D6US (U.S.A., CANADA)		25	XC5763051	MOTOR HOLDER SPACER	
	XC8352051	POWER SUPPLY UNIT, D6EU (OTHER)		26	XA8474051	UPSET 4X12 DB	
10	XC7630051	ASSY:POWER SWITCH D6		27	XA9652150	MOTOR FAN	
11	XZ0389051	INSULATOR SHEET S		28	XD0500051	FOOT CONTROLLER : FC-321-LF-EU (AUSTRALIA)	
12	XC7568051	SCREW, PAN(S/P WASHER)M4X14			XC8028051	FOOT CONTROLLER : FC-321-81-LF (OTHER)	
13	137947001	CLIP		29	XC8029051	PCB HOLDER R	
14	X53169050	BAND					
15	XC5069051	SPIRAL TUBE A					
16	T31049001	COATING CLIP CS-6					

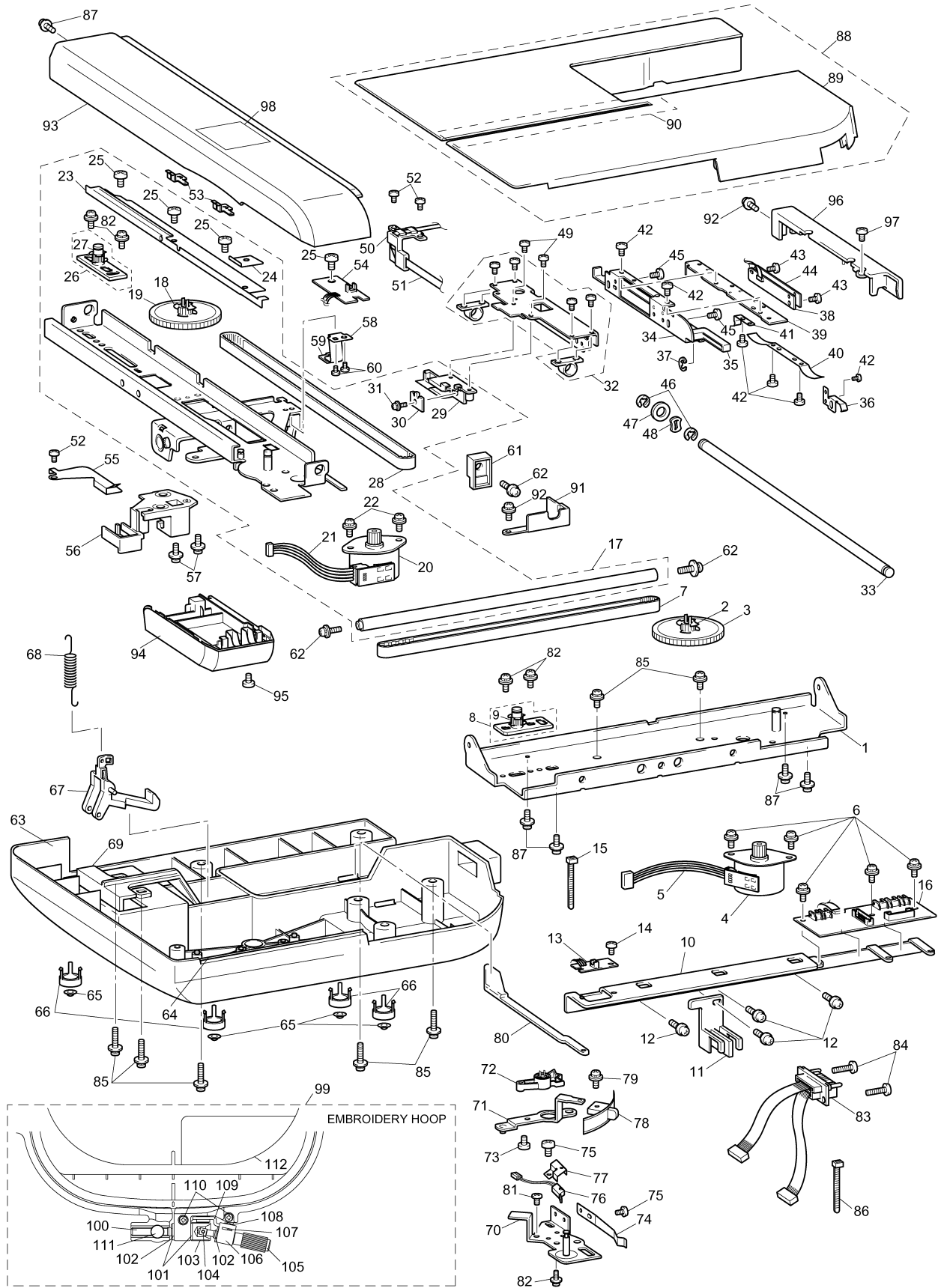
(6) ELECTRONIC PARTS / MOTOR UNIT



(7) EMBROIDERY UNIT

No.	CODE	NAME	REMARKS	No.	CODE	NAME	REMARKS
1	XC8035051	MAIN FRAME SUB ASSY		45	060400616	SCREW BIND M4X6	
2	XC8038050	DRIVING PULLEY		46	XC8080051	STOP RING 10.69	
3	XC8039050	DRIVING GEAR		47	XC8081051	WASHER	
4	XC8298051	ASSY:XY PULSE MOTOR		48	XC8082050	WASHER,SPRING 12	
5	XC8299051	ASSY:XPM LEAD WIRE		49	085301017	TAPTITE BIND P M3X10	
6	XA8390051	SCREW		50	XC8084050	FFC SUPPORT	
7	XC8041051	TIMING BELT 40S2M530		51	XC8310051	FLEXIBLE FLAT CABLE:SML2CD-6	
8	XC8042051	TENSION PULLEY ASSY		52	060300616	SCREW BIND M3X6	
9	XC8045050	TENSION PULLEY		53	XC8085050	CORD CLIP	
10	XC8046051	X GUIDE PLATE		54	XC8311051	ASSY:Y SENSOR PCB	
11	XC8047050	E CODE SUPPORTER		55	XC8086050	CODE GRIP	
12	XC7566051	SCREW, PAN(S/P WASHER)M4X8		56	XC8087051	X SLIDER	
13	XC8300051	ASSY:X SENSOR PCB		57	XC7566051	SCREW, PAN(S/P WASHER)M4X8	
14	060300616	SCREW BIND M3X6		58	XC8898051	X GUIDE SHAFT PRESSER PLATE	
15	X53169050	BAND		59	XC8899050	X GUIDE SHAFT PRESSER	
16	XC8303051	ASSY:EMB RELAY PCB		60	060300416	SCREW BIND M3X4	
17	XC8049051	X CARRIAGE UNIT		61	XC8088051	X BELT PRESSER	
18	XC8038050	DRIVING PULLEY		62	XC7566051	SCREW, PAN(S/P WASHER)M4X8	
19	XC8039050	DRIVING GEAR		63	XC7697051	ES BASE COVER	
20	XC8298051	ASSY:XY PULSE MOTOR		64	XC8093051	GROOVE COVER	
21	XC8306051	ASSY:YPM LEAD WIRE		65	X59853050	RUBBER CUSHION	
22	XA8390051	SCREW		66	XC8094051	RUBBER CUSHION COVER	
23	XC8058050	FFC CODE GUIDE		67	XC8095051	LOCK FINGER	
24	XC8586050	FFC CODE SUPPORTER		68	XC8096051	SPRING	
25	060300616	SCREW BIND M3X6		69	XC8097051	LOCK RELEASE LEVER	
26	XC8042051	TENSION PULLEY ASSY		70	XC8099051	DROP LEVER SUPPORT ASSY	
27	XC8045050	TENSION PULLEY		71	XC8102051	DROP LEVER CALKING ASSY	
28	XC8059051	TIMING BELT 40S2M740		72	XC8105050	NOTCHED CAM	
29	XC8061051	Y SLIDER		73	085301017	TAPTITE BIND P M3X10	
30	XC8062051	YT BELT PRESSER PLATE		74	XC8107051	DROP NOTCHED PLATE	
31	XC7566051	SCREW, PAN(S/P WASHER)M4X8		75	060300616	SCREW BIND M3X6	
32	XC8065051	Y CARRIAGE ASSY		76	XC8313051	ASSY,DROP SW	
33	XC8068051	Y GUIDE SHAFT		77	XC8108051	DROP SW HOLDER	
34	XC8070151	E HOOP STAY PLATE SUB ASSY		78	XC8106051	DROP KNOB	
35	XC8074051	E HOOP LOCK LEVER		79	XA8390051	SCREW	
36	XC8075051	E HOOP LOCK LEVER SPRING		80	XC8109051	DROP CONNECTION ROD	
37	048040346	RETAINING RING E4		81	085301017	TAPTITE BIND P M3X10	
38	XC8307051	ASSY:FRAME PCB		82	XC7566051	SCREW, PAN(S/P WASHER)M4X8	
39	XC8076051	E HOOP PRESSURE PLATE		83	XC8315051	ASSY,EMB UNIT LEAD WIRE	
40	XC8077051	E HOOP PRESSURE SPRING A		84	085301615	TAPTITE BIND P M3X16	
41	XC8079051	E HOOP PRESSURE SPRING C		85	087411416	TAPTITE CUP B M4X14	
42	060300416	SCREW BIND M3X4		86	X53169050	BAND	
43	XA8390051	SCREW		87	XC7566051	SCREW, PAN(S/P WASHER)M4X8	
44	XC8859051	INSULATOR SHEET		88	XC8110051	ES MAIN COVER ASSY	

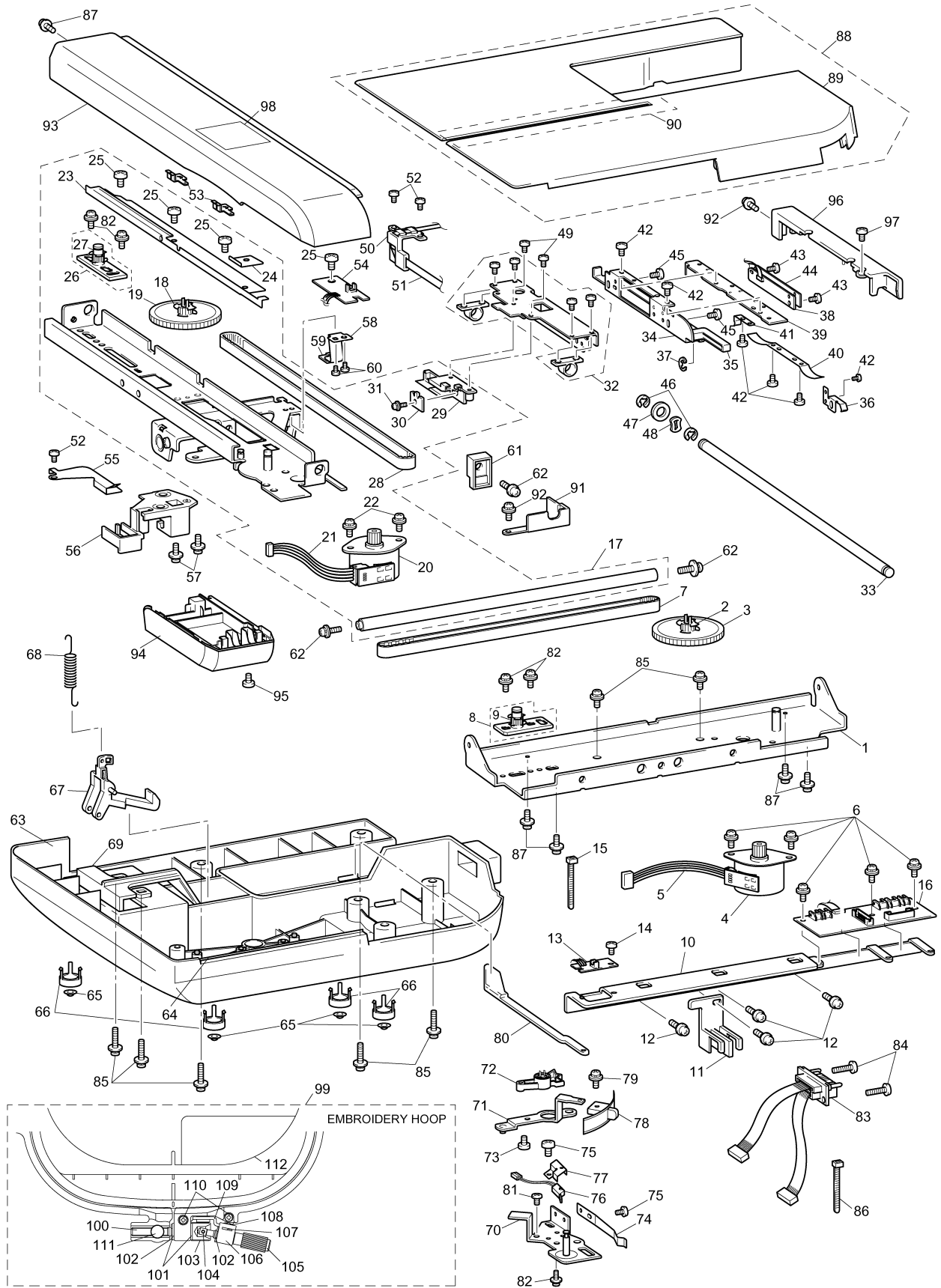
(7) EMBROIDERY UNIT



(7) EMBROIDERY UNIT

No.	CODE	NAME	REMARKS	No.	CODE	NAME	REMARKS
89	XC7698051	ES MAIN COVER					
90	XC8093051	GROOVE COVER					
91	XC8112051	XC SUB COVER					
92	XA8390051	SCREW					
93	XC7700051	X CARRIAGE COVER					
94	XC7699051	YPM COVER					
95	085301017	TAPTITE BIND P M3X10					
96	XC8089051	E HOOP STAY COVER					
97	060300416	SCREW BIND M3X4					
98	XC8666051	LOCK LEVER SEAL					
99	XC8115051	EMBROIDERY HOOP ASSY 60D6					
	XC8132051	EMBROIDERY HOOP ASSY 100D6					
	XC8137051	EMBROIDERY HOOP ASSY 130D6					
	XC8142051	EMBROIDERY HOOP ASSY 180D6					
100	XC8118051	THUMB SCREW					
101	026050136	WASHER PLAIN S 5					
102	048040346	RETAINING RING E4					
103	XC8119051	RING					
104	XC8120051	KNOB PIN					
105	XC8121051	KNOB SHAFT					
106	XC8122051	KNOB HOLDER					
107	XC8123051	KNOB FIXED PLATE					
108	060260316	SCREW BIND M2.6X3					
109	XC8124051	HOLDER ASSY					
110	0A4260806	SCREW PAN (S/P WASHER) M2.6X8					
111	XC8129051	OUTER HOOP NUT					
112	XC8355051	EMBROIDERY SHEET 60D6 ASSY					
	XC8357051	EMBROIDERY SHEET 100D6 ASSY					
	XC8359051	EMBROIDERY SHEET 130D6 ASSY					
	XC8147051	EMBROIDERY SHEET 180D6 ASSY					
	XC8150051	CARRYING CASE					
	XD0975051	BUILT IN LID					
	X60439151	BAG.630X630T					
	XC8151051	CARRIAGE PAD A D					
	XC8936051	CARRIAGE PAD B D					
	XC8031051	EMBROIDERY UNIT ASSEMBLY (AUSTRALIA)					
	XC8031061	EMBROIDERY UNIT ASSEMBLY (OTHER)					

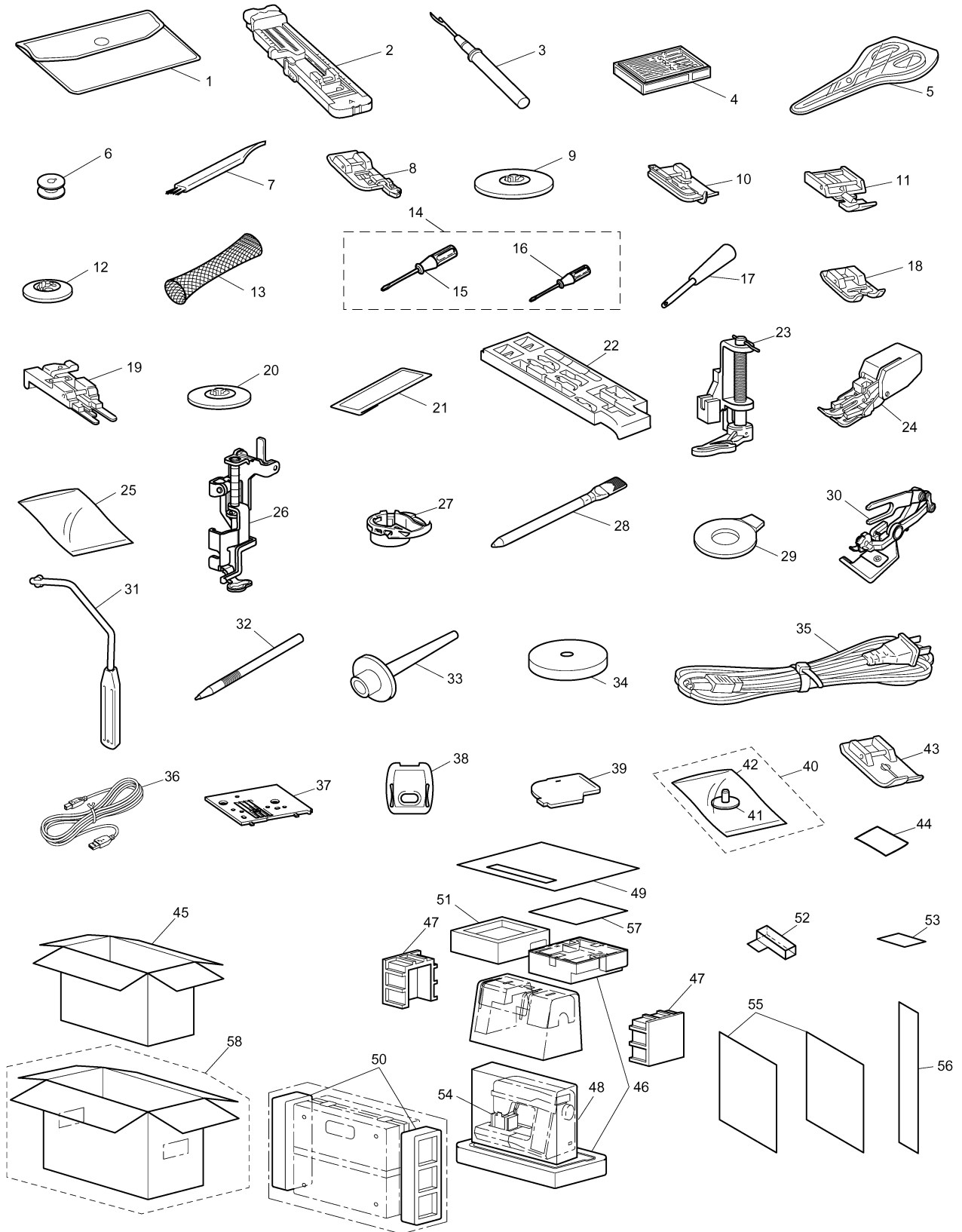
(7) EMBROIDERY UNIT



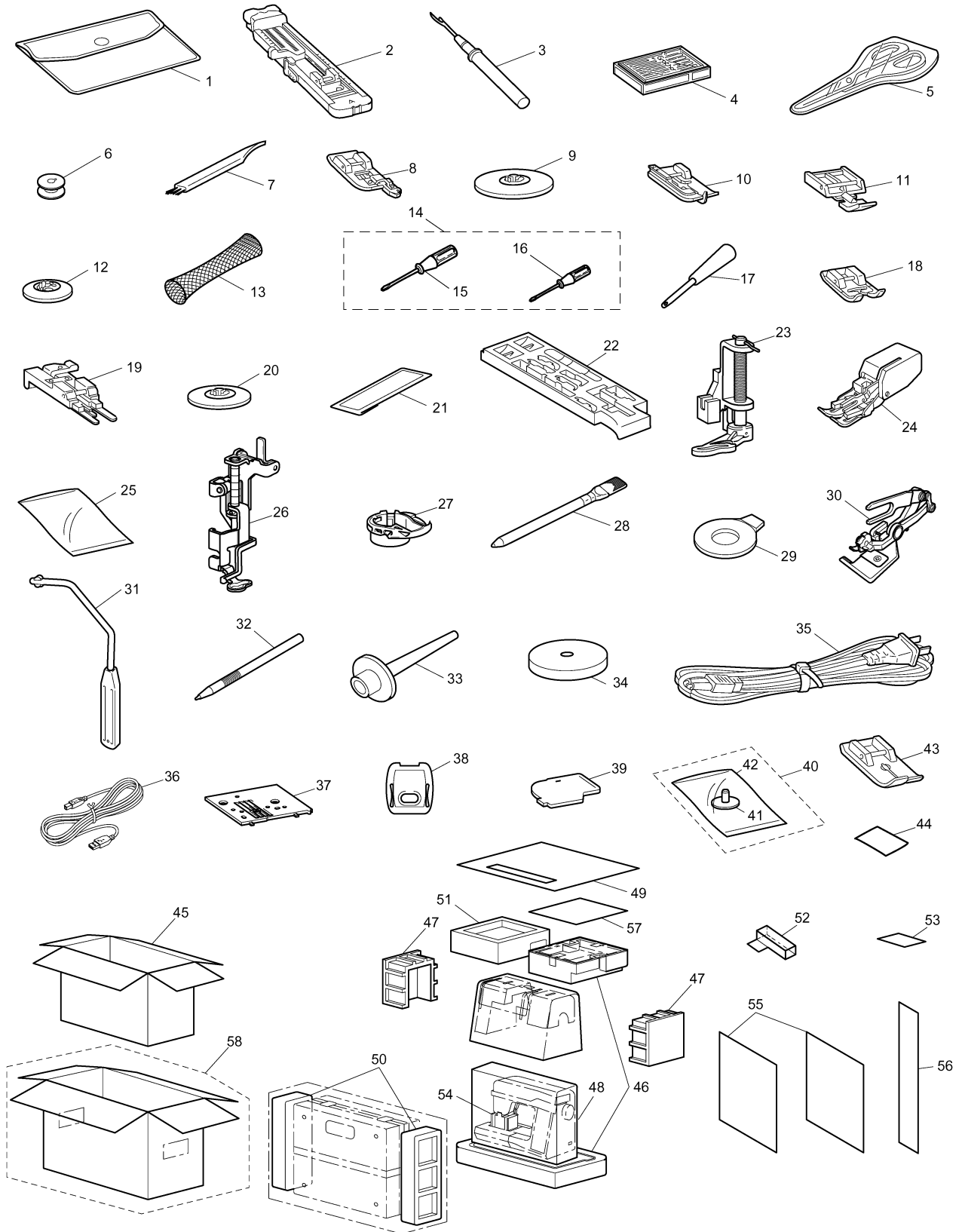
(8) ATTACHMENTS / PACKING MATERIALS / PRINTED MATTER

No.	CODE	NAME	REMARKS	No.	CODE	NAME	REMARKS
ATTACHMENTS							
1	XC4487051	ACCESSORY BAG		37	XC8362051	STRAIGHT NEEDLE PLATE A ASSY	
2	X57789151	BH PRESSER FOOT		38	XA9939051	NEEDLE PLATE COVER	
3	X54243051	SEAM RIPPER		39	XC8449051	CORD GUIDE COVER	
4	X58358051	Z NEEDLE ASSY		40	XC8661151	BOBBIN GUIDE SET (U.S.A., TAIWAN)	
5	XC1807121	SCISSORS			XD0897051	BOBBIN GUIDE SET (CANADA)	
6	X52800150	BOBBIN		41	XD0835051	BOBBIN GUIDE ASSY (U.S.A. CANADA)	
7	X59476051	CLEANING BRUSH		42	X60838051	BAG,70X110C (U.S.A. CANADA)	
8	XC3098051	OVERCASTING STITCH FOOT ASSY		43	XD0826051	STRAIGHT STITCH FOOT	
9	130012054	SPOOL PRESSER A		44	XD0795051	ST FOOT INSERTION	
10	X56409051	BLIND STITCH FOOT ASSY		PACKING MATERIALS			
11	X59370051	ZIPPER FOOT		45	XC8175050	CARTON	
12	130013154	SPOOL PRESSER B		46	XC8176350	POLYSTYRENE FOAM PAD ASSY,BODY	
13	XA5523050	NET		47	XC8179150	POLYSTYRENE FOAM PAD ASSY,CASE	
14	X55466051	SCREW DRIVER		48	XC8535051	BAG,800X600T	
15	X55467051	SCREW DRIVER		49	XC8186050	PAD D	
16	X55468051	SCREW DRIVER S		50	XC9671350	POLYSTYRENE FOAM PAD, ES	
17	135793001	PUNCH		51	XC9562250	OVER CARTON POLYSTYRENE B	
18	X53840351	TRANSPARENCY PRESSER FOOT		52	XC8617050	CORD PAD D	
19	130489001	BUTTONING FOOT		53	X57847051	PLUG LABEL (U.K.)	
20	X55260153	SPOOL PRESSER C		54	XC9195150	SHUTTLE SUPPORT POLYSTYRENE	
21	X59296151	TWIN NEEDLE (1PC)		55	XZ0400150	SIDE PAD D	
22	XC7701051	ACCESSORY TRAY		56	XZ0402050	SHEET, 150X530	
23	XA4322001	QUILTING FOOT		57	XZ0393050	PAD D MIDDLE	
24	X59816103	WALKING FOOT ASSRMBLY		58	XD1001051	REINFORCED CARTON (NV4000D)	
25	XA0188050	BAG			XD1001054	REINFORCED CARTON (NV4000)	
26	XC8156451	W PRESSER UNIT		PRINTED MATTER			
27	XC8167151	INNER ROTARY HOOK ASSY			XD0784051	INSTRUCTION BOOK ENG	
28	184944001	CHALK PEN			XD0785051	INSTRUCTION BOOK FRE	
29	XC1074051	NEEDLE PLATE FIXING METAL			XD0786051	INSTRUCTION BOOK GER	
30	XC3198001	SIDE CUTTER ASSY			XD0787051	INSTRUCTION BOOK DUT	
31	XA6941051	KNEE LIFTER LEVER ASSY			XD0788051	INSTRUCTION BOOK SPA	
32	XA9940051	TOUCH PEN			XD0782051	INSTRUCTION BOOK ITA	
33	XC8619051	EXTRA SPOOL PIN			XD0790051	INSTRUCTION BOOK CHN	
34	X57045051	SPOOL FELT			XC8171051	INSTRUCTION BOOK DISNEY (NV4000D)	
35	XC6052051	POWER SUPPLY CORD:UL CSA-LF (U.S.A., CANADA)			XC8945051	WARRANTY CARD T (U.S.A.)	
	XA0070151	POWER SUPPLY CORD (OTHER)			XC6402051	WARRANTY CARD (U.K.)	
	XD0111051	POWER SUPPLY CORD:IRAM (ALZ)			XA6351151	WARRANTY CARD (ITA)	
	XD0225051	POWER SUPPLY CORD:TWN (TAIWAN)			UH3851001	WARRANTY CARD EUR (OTHER)	
	XA1291051	POWER SUPPLY CORD (KOREA)			XD0231051	G.LEAFLET 13	
	X59354151	POWER SUPPLY CORD -BS (U.K.)			X81264051	G.LEAFLET NO.24 (NV4000D: GER, U.K., FRA, SPA, ITA, SWISS, SING, AUSTRALIA)	
	XC9548051	POWER SUPPLY CORD : SAA-LF (AUS)					
36	XC8897051	USB I/F CORE CABLE					

(8) ATTACHMENTS / PACKING MATERIALS / PRINTED MATTER



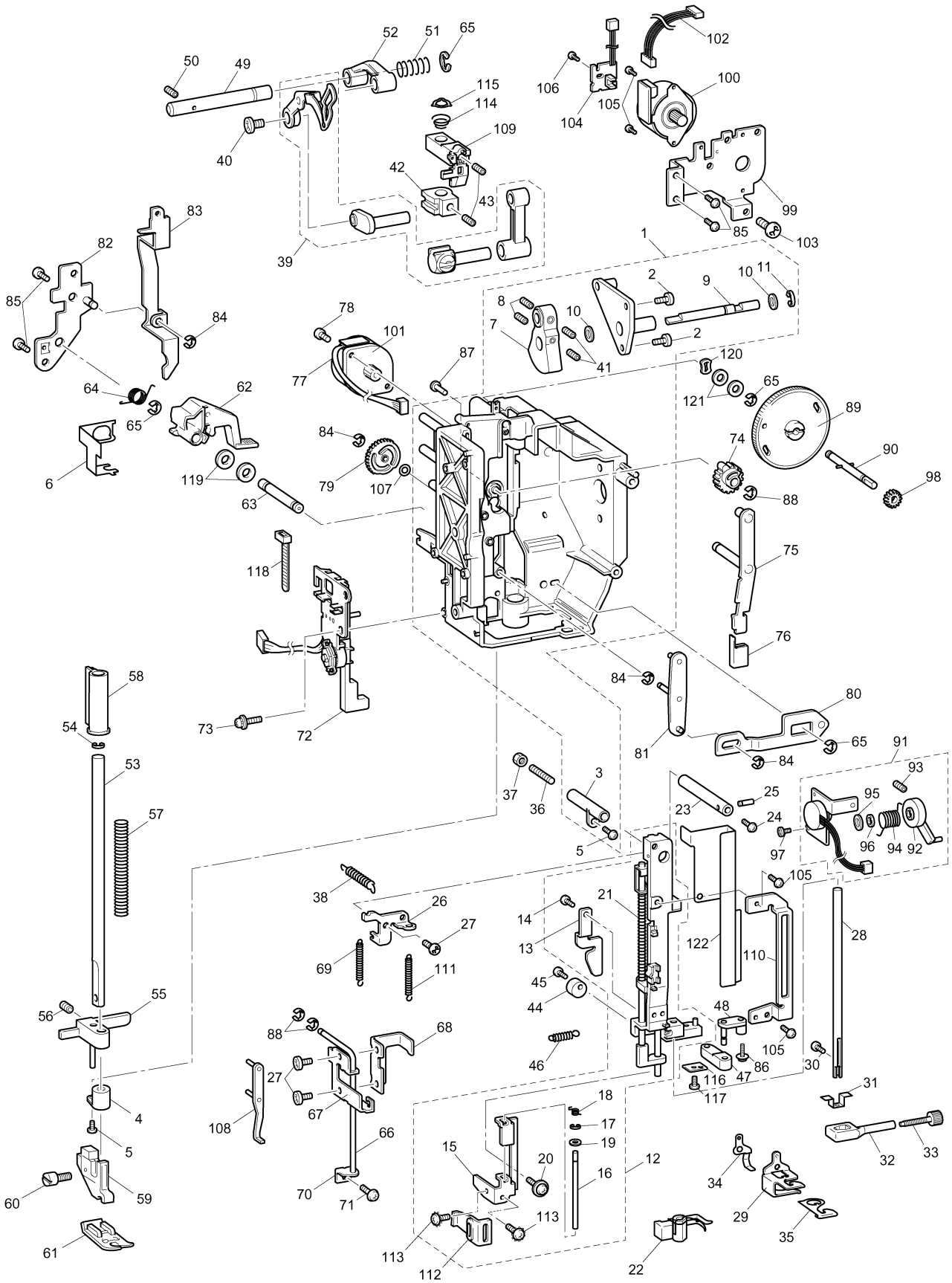
(8) ATTACHMENTS / PACKING MATERIALS / PRINTED MATTER



NEEDLE-PRESSER MODULE

No.	CODE	NAME	REMARKS	No.	CODE	NAME	REMARKS
1	XC8275051	UPPER SHAFT HOLDER ASSY		45	018301032	BOLT SOCKET M3X10	
2	XC7568051	SCREW, PAN(S/P WASHER)M4X14		46	XC2748021	SPRING-Z	
3	XC2398020	SHAFT BUSHING A		47	XC7802051	NEEDLE HOLDER BROCK	
4	XC2399021	PRESSER BAR BUSHING		48	XC7803051	H SHAFT HOLDER ASSY	
5	136681051	TAPTITE, BIND B M3X8		49	XC8374051	SHAFT	
6	XC5362050	PLATE SPRING		50	014300532	SET SCREW SOCKET (CP) M3X5	
7	XC7784051	THREAD TAKE-UP COUNTER WEIGHT		51	XC2441021	SPRING	
8	012500532	SET SCREW SOCKET (FT) M5X5		52	XC2443020	THREAD TAKE-UP LEVER LINK	
9	XC7785051	UNIT SHAFT		53	XC7806051	PRESSER BAR	
10	131976050	WASHER,THRUST		54	048050346	RETAINING RING E5	
11	048080346	RETAINING RING E8		55	XC7807051	PRESSER BAR CLAMP ASSY	
12	XC7786051	NEEDLE BAR SUPPORTER ASSY		56	014501032	SET SCREW SOCKET (CP) M5X10	
13	XC7793051	HOOK RELEASE PLATE		57	XC7810051	SPRING	
14	060260516	SCREW BIND M2.6X5		58	XC7811050	PRESSER FOOT RACK	
15	XC3446051	RELEASE LEVER		59	XC3015051	PRESSER FEED HOLDER ASSY	
16	XC3447051	RELEASE LEVER SHAFT		60	XA4813051	SCREW	
17	048025346	RETAINING RING E2.5		61	XC3021051	Z FOOT	
18	XC3448051	RELEASE LEVER SPRING		62	XC7812051	PRESSER FOOT LIFTER	
19	137977051	POLYESTER SLIDER		63	XC2452051	PRESSER LIFT SHAFT	
20	0A2300606	SCREW PAN (P WASHER) M3X6		64	XC7813051	SPRING	
21	XC8485051	SPRING		65	048040346	RETAINING RING E4	
22	XC7794051	HOOK ASSY		66	XC2453051	LEVER GUIDE SHAFT	
23	XC2419021	SHAFT		67	XC7814051	LEVER AB	
24	000020415	SCREW BIND M2X4		68	XC7815051	NEEDLE THREADER DRIVING PLATE	
25	XC2420050	SHAFT		69	XC7816051	SPRING	
26	XC2421121	PLATE		70	XC7817051	LEVER SUPPORTER PLATE	
27	060300516	SCREW BIND M3X5		71	138433051	TAPTITE,PAN B M3X6	
28	XC7799051	NEEDLE BAR		72	XC7787051	BH SWITCH ASSY	
29	XC8654051	NEEDLE BAR THREAD GUIDE		73	XZ0149051	TAPTITE,PAN B 4X12	
30	X53053052	SCREW SM2.38		74	XC7818150	Z ZIGZAG CAM	
31	XC2426020	NEEDLE THREAD PLATE		75	XC7819051	Z ZIGZAG LEVER ASSY	
32	XC3554051	NEEDLE BLOCK		76	XC2480020	Z LEVER CUP	
33	XZ0388051	NEEDLE CLAMP SCREW		77	XC8225051	ASSY:ZPM LEAD WIRE	
34	XC4162021	NEEDLE BLOCK SUPPORTER		78	X59629051	TAPTITE,BIND B M3X10	
35	XC8655051	SUPPORT SPRING		79	XC2483020	T CAM	
36	014401232	SET SCREW SOCKET (CP) M4X12		80	XC7822051	TENSION RELEASE ROD ASSY	
37	X56851051	LOCK NUT		81	XC5985051	THREAD RELEASE LEVER ASSY D6	
38	XC2429021	SPRING		82	XC7824051	ADJUSTING PLATE ASSY	
39	XZ0394051	NEEDLE BAR CRANK ROD ASSY		83	XC7826051	TENSION RELEASE PLATE C	
40	132051052	SCREW, FLAT SM3.57-40X7 L		84	048030346	RETAINING RING E3	
41	012500532	SET SCREW SOCKET (FT) M5X5		85	085411015	TAPTITE BIND B M4X10	
42	XC2434021	NEEDLE THREAD BLOCK		86	XC3037051	SCREW3X10	
43	012400432	SET SCREW SOCKET (FT) M4X4		87	XC2475051	SHAFT	
44	XC2435020	ZIGZAG ADJUSTING NUT		88	048020346	RETAINING RING E2	

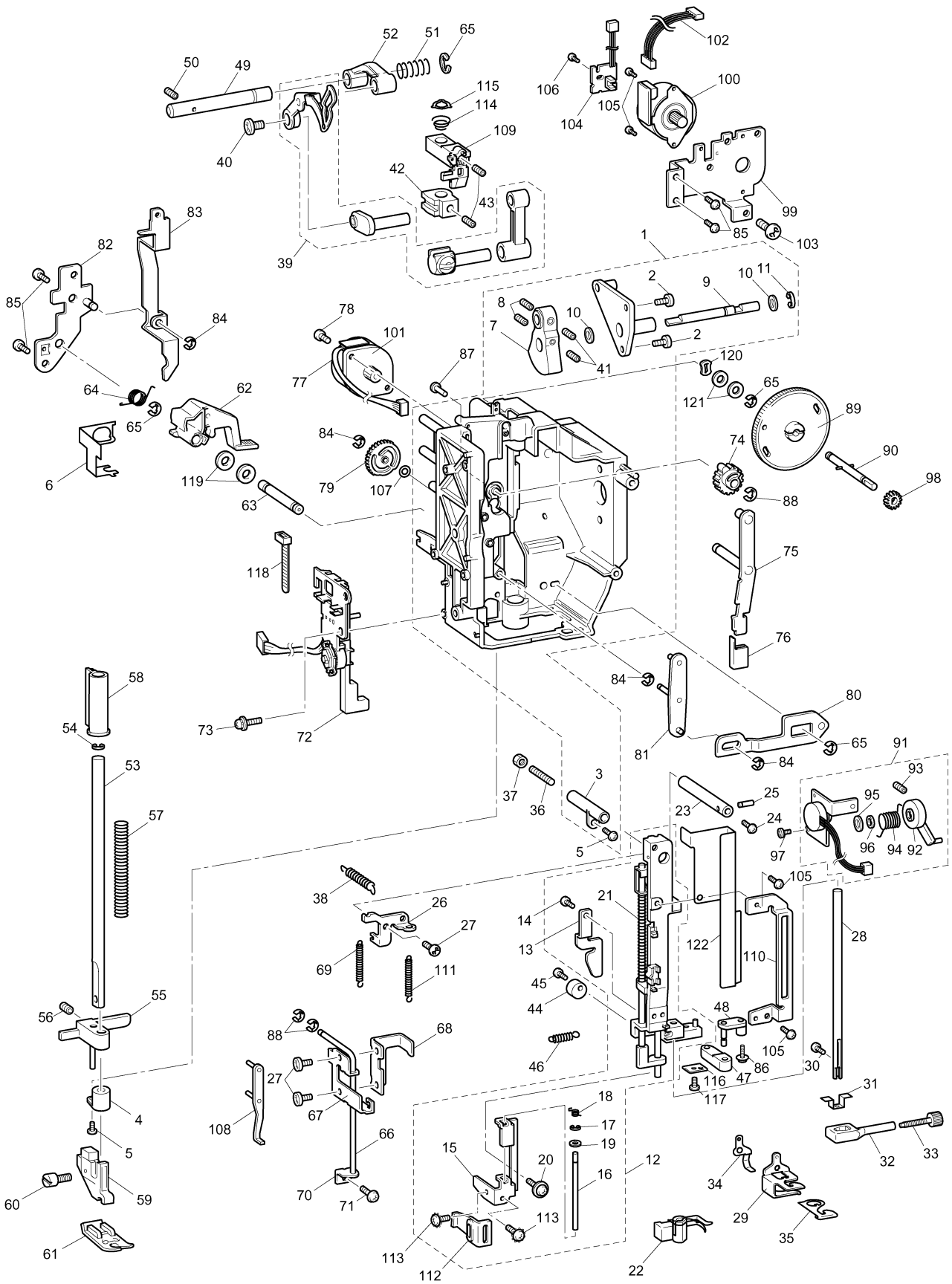
NEEDLE-PRESSER MODULE



NEEDLE-PRESSER MODULE

No.	CODE	NAME	REMARKS
89	XC7827051	PRESSER DIAL	
90	XC8372051	PRESSER DIAL SHAFT ASSY	
91	XC7828051	PT HOLDER ASSEMBLY	
92	XA6493051	PT LEVER	
93	012300632	SET SCREW SOCKET (FT) M3X6	
94	XA1894051	SPRING	
95	026060235	WASHER PLAIN M 6	
96	X52569001	NUT	
97	136681051	TAPTITE, BIND B M3X8	
98	XC7830050	PRESSER DIAL GEAR	
99	XC7831151	PRESSER PM HOLDER	
100	XC8228051	ASSY:PF PULSE MOTOR	
101	XC8678051	ZPM INSULATION ASSY	
102	XC8229051	ASSY:PFPM LEAD WIRE	
103	060400616	SCREW BIND M4X6	
104	XC8230051	ASSY:ATPF INIT PCB	
105	060300616	SCREW BIND M3X6	
106	XC7644051	SCREW, PAM (S/P WASHER) M3X5	
107	XZ0155051	POLYESTER SLIDER	
108	XC6241151	RELEASE PLATE ASSY	
109	XC6245051	NEEDLE BAR HOOK STAND ASSY	
110	XC6251051	RELEASE GUIDE PLATE	
111	XC6252051	SPRING	
112	XC6253050	RELEASE ADJUSTER	
113	XC4433051	SCREW,PAN(T WASHER)M3X6	
114	XC6254051	NEEDLE BAR PRESSER SPRING	
115	XC6255050	WASHER,THRUST	
116	XC7832051	ADJUST PLATE	
117	060260516	SCREW BIND M2.6X5	
118	X53169050	BAND	
119	XA1860150	WASHER	
120	103810052	WASHER, WAVE SPRING	
121	XA0362051	WASHER	
122	XD0604050	SPRING GUARD	
	XC8672152	NEEDLE SUPPLY UNIT ASSY (U.S.A., CANADA)	
	XC8672151	NEEDLE SUPPLY UNIT ASSY (OTHER)	

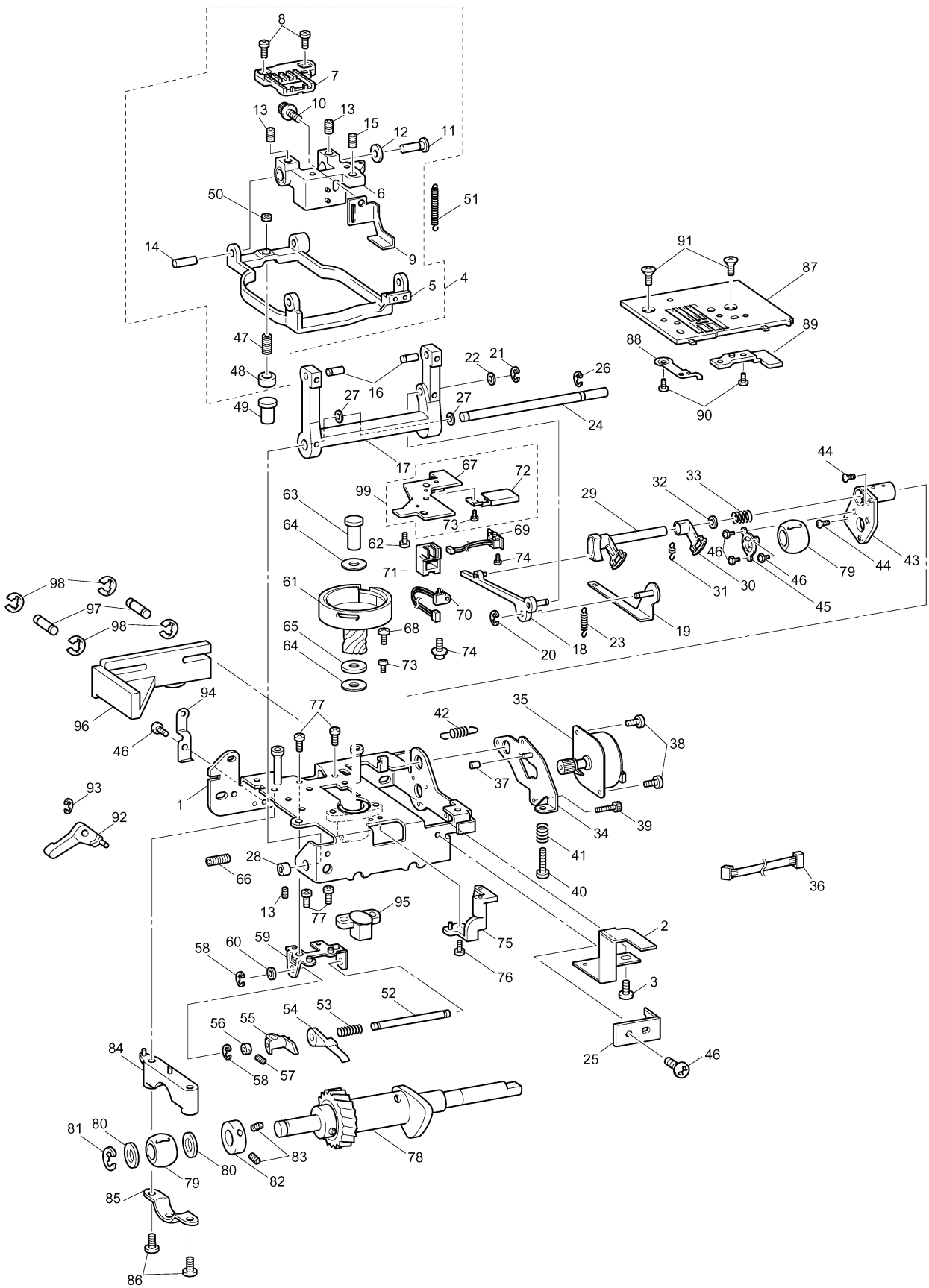
NEEDLE-PRESSER MODULE



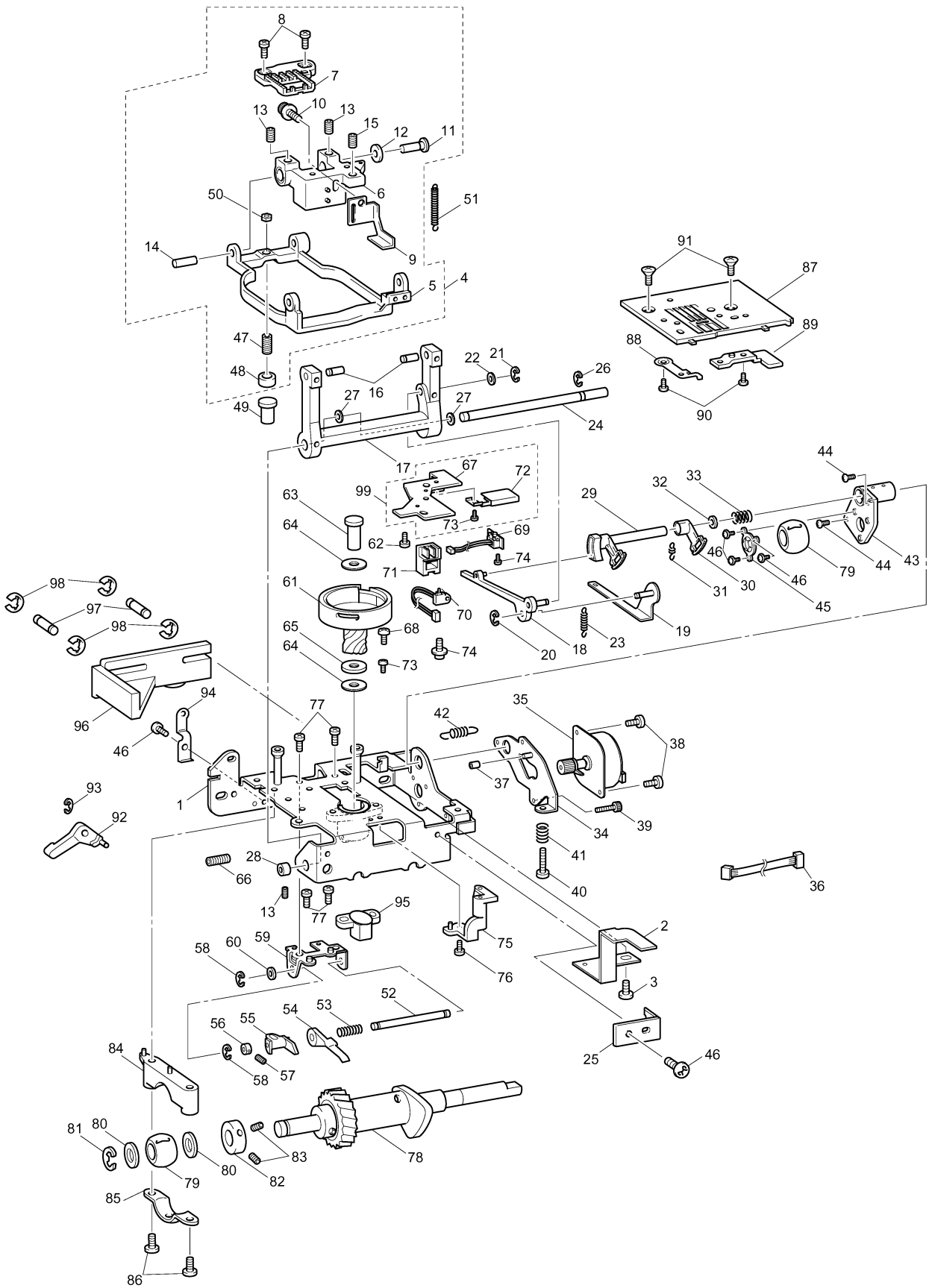
FEED MODULE

No.	CODE	NAME	REMARKS	No.	CODE	NAME	REMARKS
1	XC7638051	BASE PLATE		45	XC2542021	BUSHING PRESSER B	
2	XC7837051	F GEAR STOPPER PLATE		46	060300516	SCREW BIND M3X5	
3	060400416	SCREW, BIND M4X4		47	012401032	SET SCREW SOCKET (FT) M4X10	
4	XC7841151	FEED BAR ASSY		48	XC7853150	CAP	
5	XC7842151	FEED BAR		49	XC7854051	VERTICAL ROD	
6	XC8530051	FEED DOG BASE ASSY		50	X56851051	LOCK NUT	
7	XC7846151	FEED DOG		51	XZ0385051	SPRING	
8	060300616	SCREW BIND M3X6		52	XC8361051	VERTICAL FEED SHAFT	
9	XC7847051	FEED DOG CORRECTION PLATE		53	XC7856051	SPRING	
10	XC3338021	SCREW3X8		54	XC7857050	FEED DOG CORRECTION LEVER	
11	XC7848051	FEED DOG BASE SHAFT A		55	XC7858050	VERTICAL LEVER	
12	137999050	POLYESTER SLIDER		56	XC2552051	SET SCREW COLLAR	
13	014400432	SET SCREW SOCKET (CP) M4X4		57	014400432	SET SCREW SOCKET (CP) M4X4	
14	XC7849051	FEED DOG BASE SHAFT B		58	048030346	RETAINING RING E3	
15	012400432	SET SCREW SOCKET (FT) M4X4		59	XC7859051	VERTICAL SUPPORTING PLATE	
16	XC2512051	FEED BAR SHAFT A		60	137713050	POLYESTER SLIDER	
17	XC8337021	FEED ARM A		61	XC2210051	OUTER ROTALY HOOK ASSY	
18	XC2517021	FEED ARM B ASSY		62	X58913052	BIND 2X3	
19	XC2521021	FEED SUPPORTING PLATE ASSY		63	XC2230051	OUTER ROTARY HOOK SHAFT	
20	048020346	RETAINING RING E2		64	137805052	SPACER	
21	048030346	RETAINING RING E3		65	137976051	WASHER 6	
22	137999050	POLYESTER SLIDER		66	014400632	SET SCREW SOCKET (CP) M4X6	
23	XC9277051	SPRING		67	XC8406251	INNER ROTARY HOOK BRACKET ASSY	
24	XC7835051	HORIZONTAL FEED SHAFT		68	X58913051	BIND 2X3	
25	XC8195051	SHAFT STOPPER PLATE		69	XC8350051	PHOTO DIODE HOLDER ASSY	
26	048050346	RETAINING RING E5		70	XC8240051	ASSY:PLTSW D6	
27	X50546050	WASHER,THRUST		71	XC7865050	NEEDLE PLATE SW HOLDER	
28	130676151	SET SCREW COLLAR		72	XC7866251	CORD HOLDER	
29	XC2527021	FEED ADJUSTER		73	060260316	SCREW BIND M2.6X3	
30	XC2529020	F GEAR		74	000020415	SCREW BIND M2X4	
31	XC2530021	SPRING		75	XZ0181021	STOPPER PLATE BLOCK ASSY	
32	137713050	POLYESTER SLIDER		76	060400516	SCREW BIND M4X5	
33	XC2531021	SPRING		77	060300816	SCREW BIND M3X8	
34	XZ0397051	FPM HOLDER ASSY		78	XC7867051	LOWER SHAFT B ASSY	
35	XC9759051	FPM INSULATION ASSY		79	X52664050	LOWER SHAFT BUSHING	
36	XC8236051	ASSY:FPM LEAD WIRE		80	X51383050	WASHER,THRUST	
37	XC2587050	RUBBER		81	048060346	RETAINING RING E6	
38	060300516	SCREW BIND M3X5		82	137768151	SET SCREW COLLAR	
39	XC3338021	SCREW3X8		83	014400432	SET SCREW SOCKET (CP) M4X4	
40	018402532	BOLT SOCKET M4X25		84	XC2566021	BUSHING SUPPORTER A	
41	XC2537021	SPRING		85	XC2567021	BUSHING PRESSER A	
42	XC2538021	SPRING		86	060401616	SCREW BIND M4X16	
43	XC2539021	BUSHING SUPPORTER ASSY		87	XC7872151	NEEDLE PLATE A	
44	060400616	SCREW BIND M4X6		88	XC2570021	STOPPER PLATE	

FEED MODULE



FEED MODULE



THREAD CUTTER MODULE

No.	CODE	NAME	REMARKS
1	XC2576021	THREAD CUTTER FRAME ASSY	
2	XC2579020	SPACER	
3	X80321001	NT LOWER THREAD CUTTER	
4	XC2595121	PRESSER PLATE ASSY	
5	060300416	SCREW BIND M3X4	
6	XC2598120	SPRING PLATE	
7	XC2587050	RUBBER	
8	048030346	RETAINING RING E3	
9	XC2583121	THREAD HOOK ASSY	
10	137713050	POLYESTER SLIDER	
11	X56731050	WASHER	
12	048040346	RETAINING RING E4	
13	XC2581121	THREAD CUTTER LEVER	
14	XC2582020	THREAD CUTTER LEVER GEAR	
15	0A4300605	SCREW PAN (S/P WASHER) M3X6	
16	XC8416051	MOTOR HOLDER ASSY	
17	XC2592020	IDLE GEAR A	
18	XC2593020	IDLE GEAR B	
19	X56323021	SPRING	
20	048020346	RETAINING RING E2	
21	XC8678051	ZPM INSULATION ASSY	
22	XC8244051	ASSY:CPM LEAD WIRE	
23	060300416	SCREW BIND M3X4	
24	XC2594051	COLLAR	
25	060402016	SCREW BIND M4X20	
26	X53169050	BAND	
27	137713050	POLYESTER SLIDER	
28	XC8407050	WAVE-SHAPE SPRING WASHER	
	XC8674252	THREAD CUTTER SUPPLY ASSY (U.S.A., CANADA)	
	XC8674251	THREAD CUTTER SUPPLY ASSY (OTHER)	

THREAD CUTTER MODULE

